



ZH-B

Bolted Construction Cylinders

Series ZH-B Bolted Construction Hydraulic Cylinders

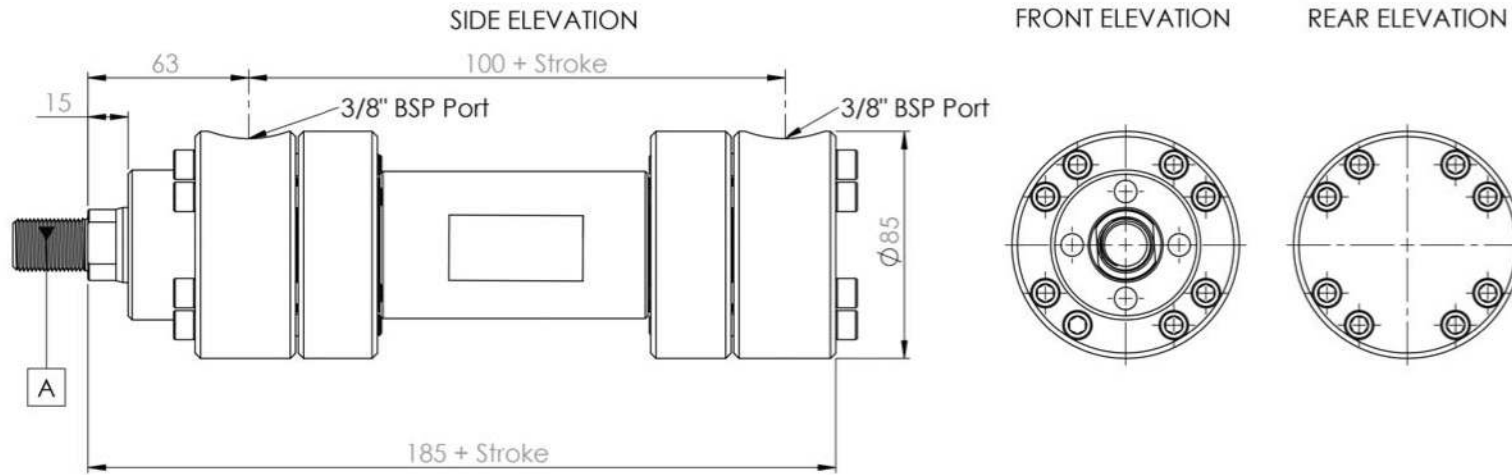
Description

These heavy duty flanged type cylinders are manufactured to the most exacting standards. With bore sizes and mounting dimensions in accordance with ISO 6022, CETOP standard R73H and BS6331 Pt3, DIN 24333.

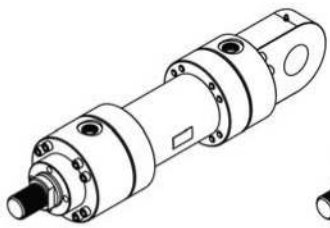
The range offers a choice of mounting arrangements, including trunnion and clevis pin mountings, and represent the best in modern cylinder design. Barrels are made from precision honed steel tubing and rods are hard chrome plated steel. End covers are bolted flanged configurations to permit easy maintenance.

The cylinders incorporate captive air bleeds and cushion adjuster valves at each end of stroke. The piston rod gland seal and wiper are designed for ease of servicing. The piston and piston rod are supported by substantial bearings. All 'O'rings have back-up rings to prevent extrusion. Solid mechanical locking secures the piston to rod and gland bearing is positioned to ensure good lubrication.

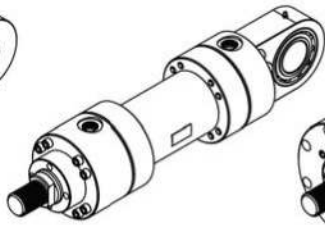
Example:	ZH-B - S - ## - ### - ## - 1 - 2 - 3 - NC - R - 4
SERIES.	ZH-B
DESIGN STYLE	SINGLE ROD S DOUBLE ROD D
BORE DIA.	SPECIFY IN M/M
STROKE.	SPECIFY IN M/M
ROD DIA.	SPECIFY IN M/M
PISTON ROD END.	MALE (STANDARD) 1 MALE (NON-STANDARD) 2 FEMALE (STANDARD) 3 FEMALE (NON-STANDARD) 4 OTHER 5
PISTON ROD MATERIAL.	STD.CHROME/EN8 1 NICKEL / CHROME / EN8 2 316 STAINLESS STEEL 3 CHROME / 316 STAINLESS. 4 OTHER. 5
SEALS.	NITRILE 1 LOW FRICTION 2 VITON 3 OTHER 4
CUSHIONING.	NON - CUSHIONED NC CUSHIONED BOTH ENDS BC HEAD CUSHION HC CAP CUSHION CC
PORTS.	BSP R METRIC M OTHER S
MOUNTING.	REAR CLEVIS 1 REAR SPHERICAL CLEVIS 2 FRONT CIRCULAR FLANGE 3 REAR CIRCULAR FLANGE 4 FOOT MOUNTED 5 MID TRUNNION 6 FRONT TRUNNION 7 REAR TRUNNION 8



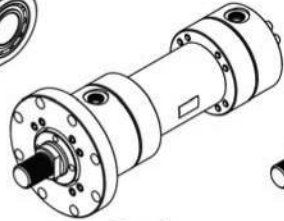
Maximum Working Pressure (BAR)	
250	
A - Optional Rod Sizing	
Rod ϕ & Length	Thread Details
22mm x 22mm	M16 x 1.5P
28mm x 22mm	M20 x 1.5P



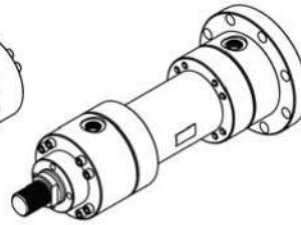
Type 1
Rear Clevis Mount



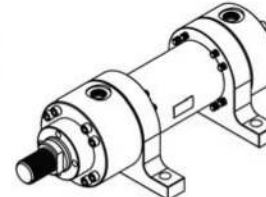
Type 2
Self Aligning Clevis Mount



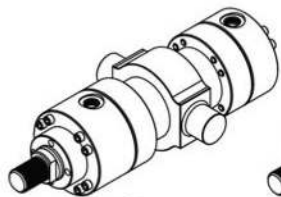
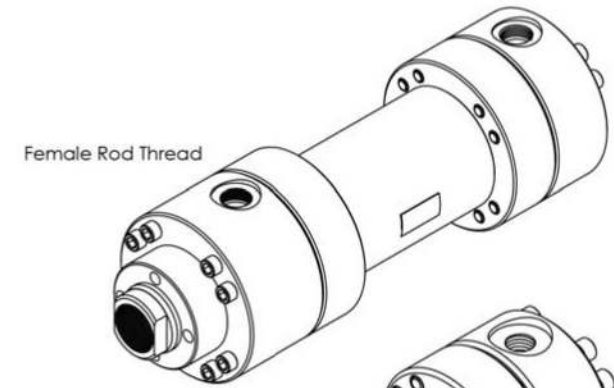
Type 3
Front Flange Mount



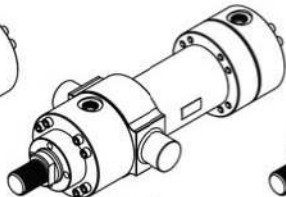
Type 4
Rear Flange Mount



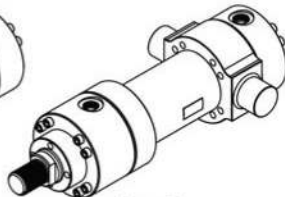
Type 5
Foot Mounting



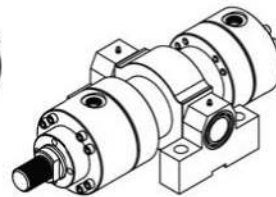
Type 6
Centre Trunnion Mount



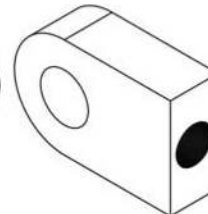
Type 7
Front Trunnion Mount



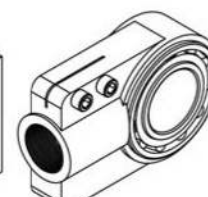
Type 8
Rear Trunnion Mount



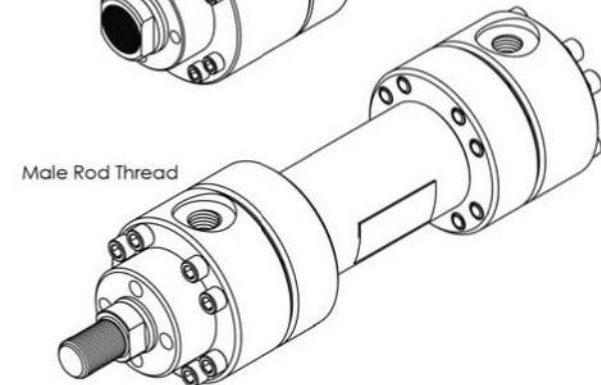
Trunnion Mounting Feet



Plain Clevis



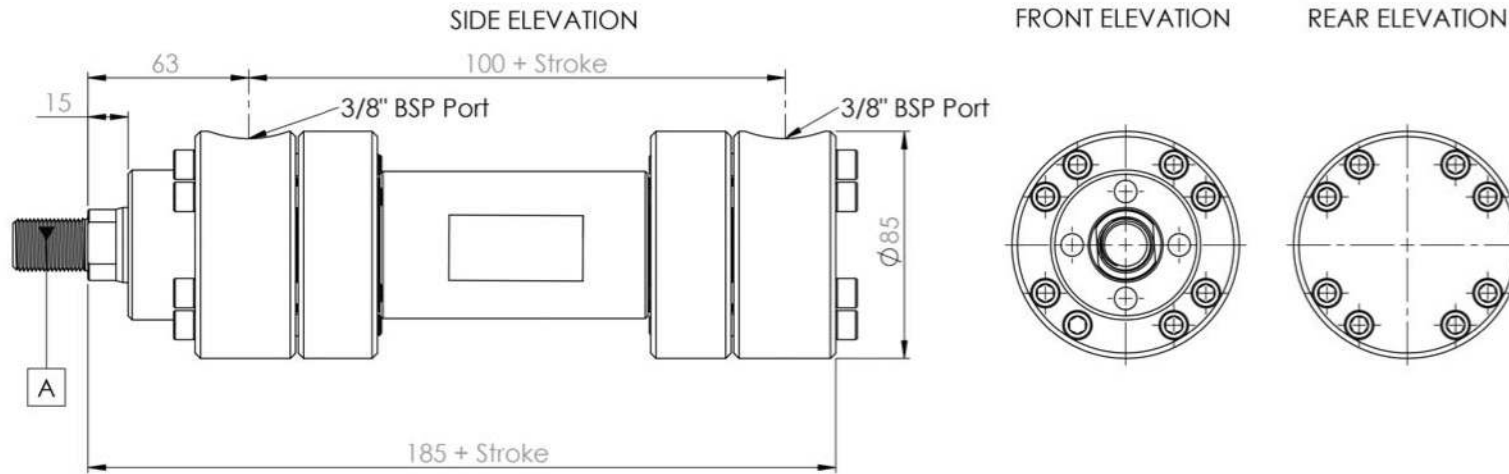
Self Aligning Clevis



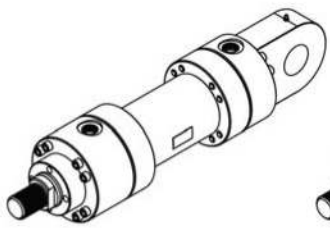
ZH-B40 BOLTED CONSTRUCTION HYDRAULIC CYLINDER



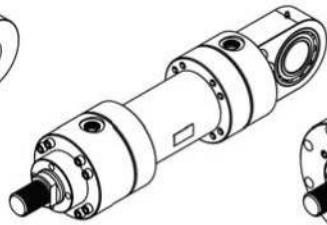
Tel: +44 (0) 1172 130042
 Web: www.zeushydratech.com



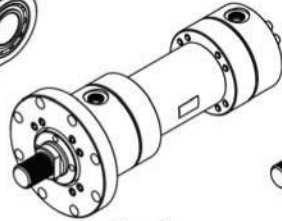
Maximum Working Pressure (BAR)	
250	
A - Optional Rod Sizing	
Rod \varnothing & Length	Thread Details
22mm x 22mm	M16 x 1.5P
28mm x 22mm	M20 x 1.5P



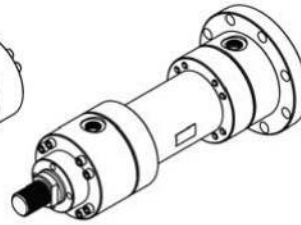
Type 1
Rear Clevis Mount



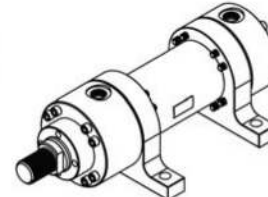
Type 2
Self Aligning Clevis Mount



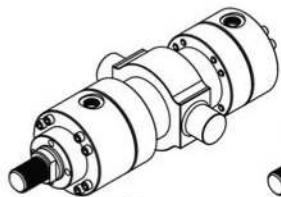
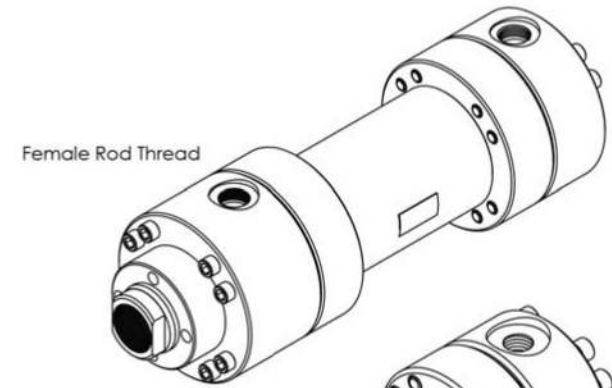
Type 3
Front Flange Mount



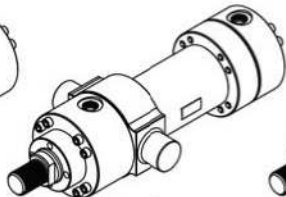
Type 4
Rear Flange Mount



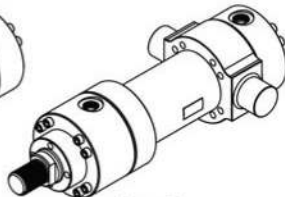
Type 5
Foot Mounting



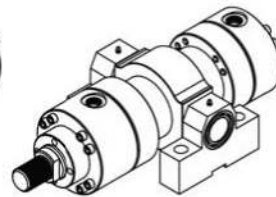
Type 6
Centre Trunnion Mount



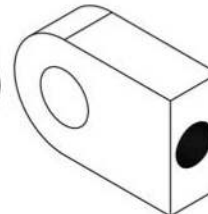
Type 7
Front Trunnion Mount



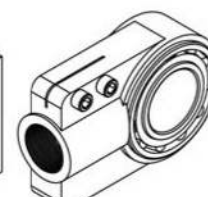
Type 8
Rear Trunnion Mount



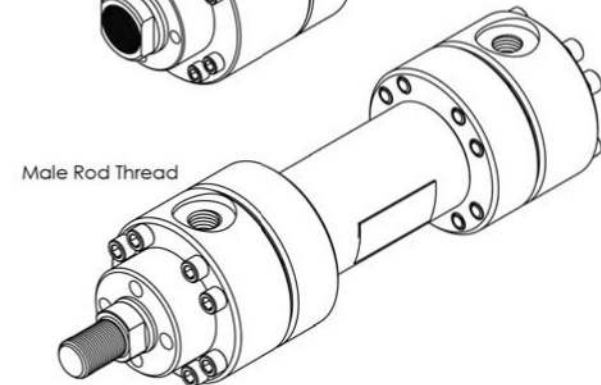
Trunnion Mounting Feet



Plain Clevis



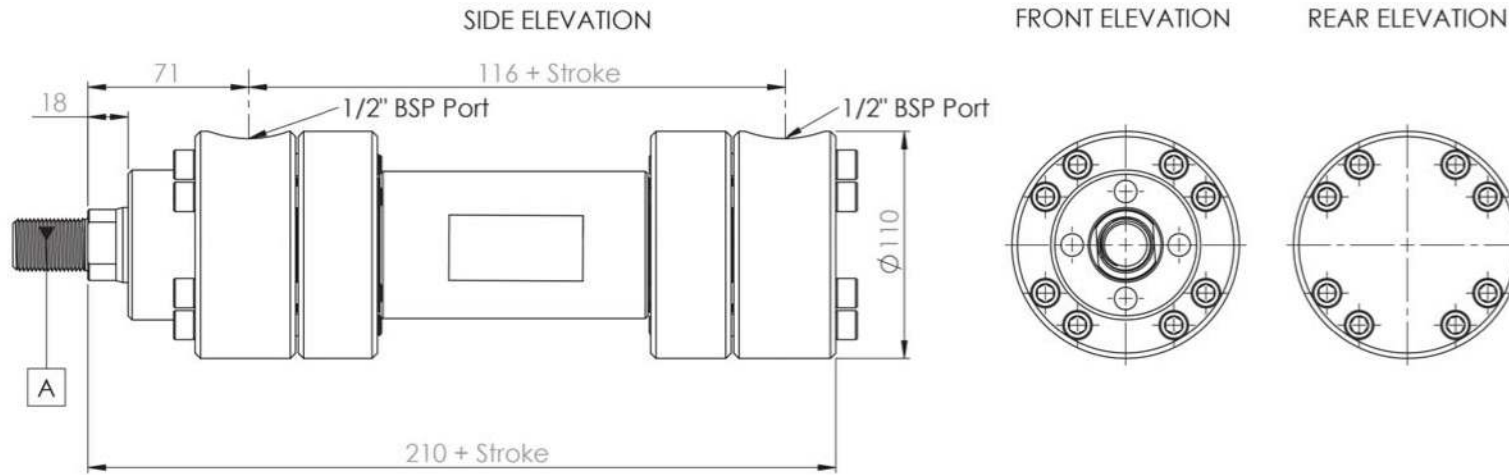
Self Aligning Clevis



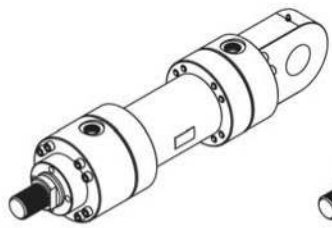
ZH-B40 BOLTED CONSTRUCTION HYDRAULIC CYLINDER



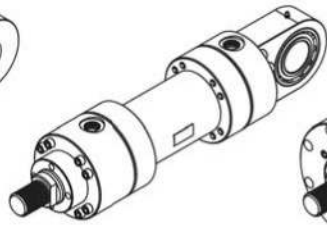
Tel: +44 (0) 1172 130042
Web: www.zeushydratech.com



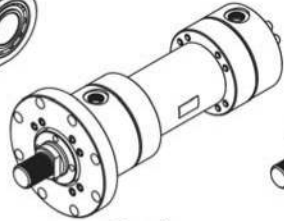
Maximum Working Pressure (BAR)	
250	
A - Optional Rod Sizing	
Rod ϕ & Length	Thread Details
28mm x 28mm	M20 x 1.5P
36mm x 36mm	M27 x 2P



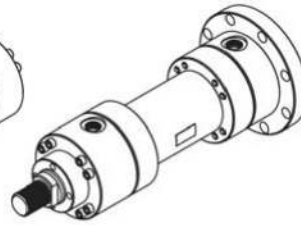
Type 1
Rear Clevis Mount



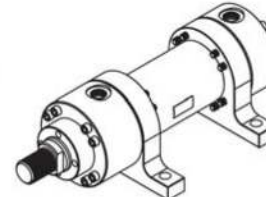
Type 2
Self Aligning Clevis Mount



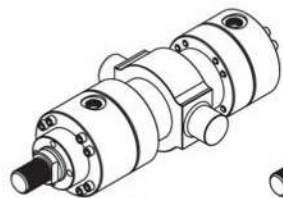
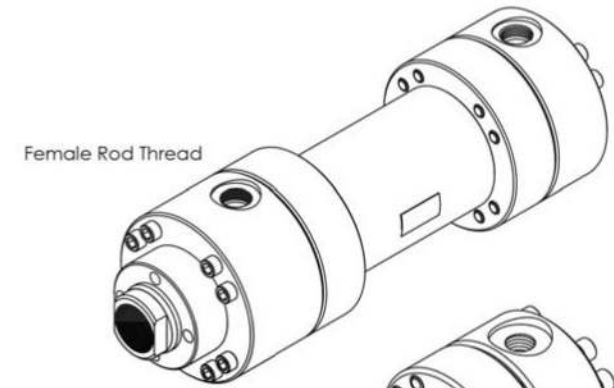
Type 3
Front Flange Mount



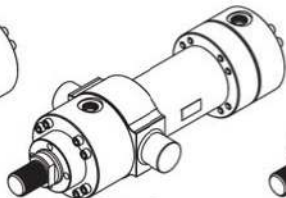
Type 4
Rear Flange Mount



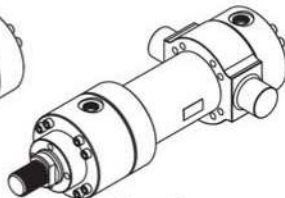
Type 5
Foot Mounting



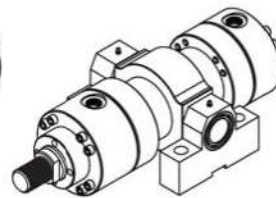
Type 6
Centre Trunnion Mount



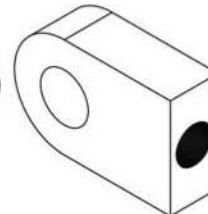
Type 7
Front Trunnion Mount



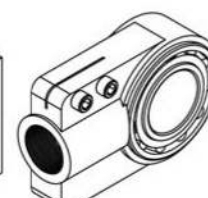
Type 8
Rear Trunnion Mount



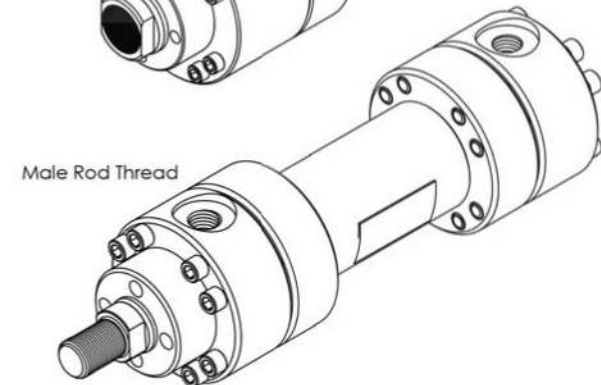
Trunnion Mounting Feet



Plain Clevis



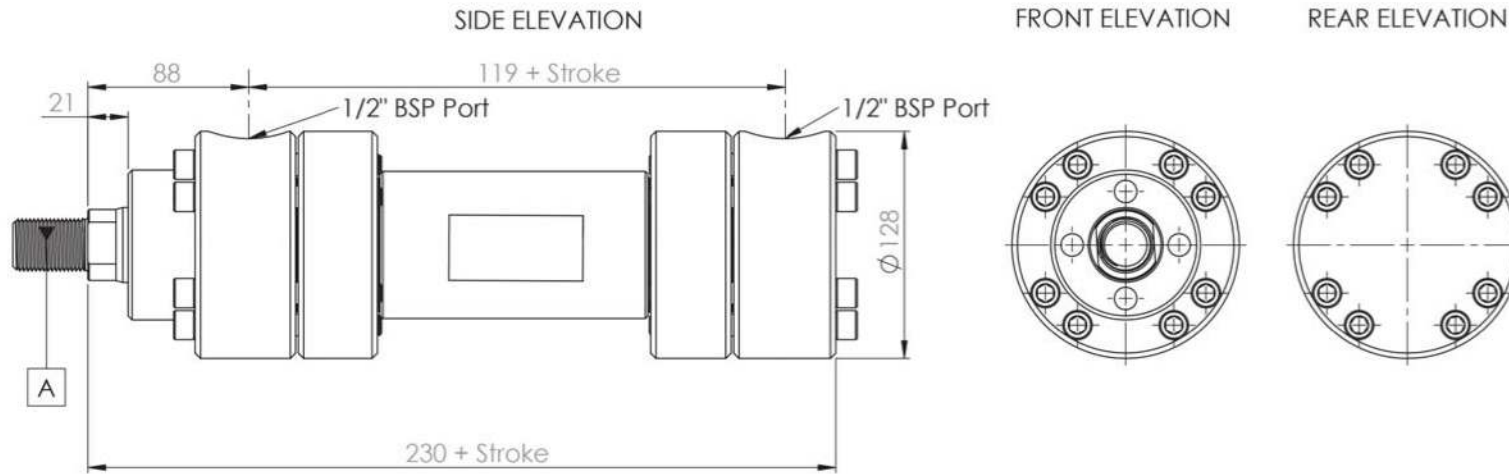
Self Aligning Clevis



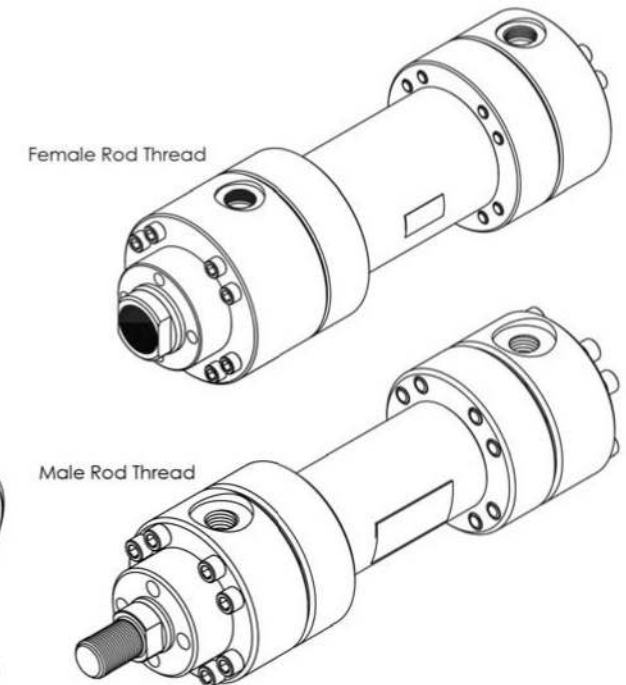
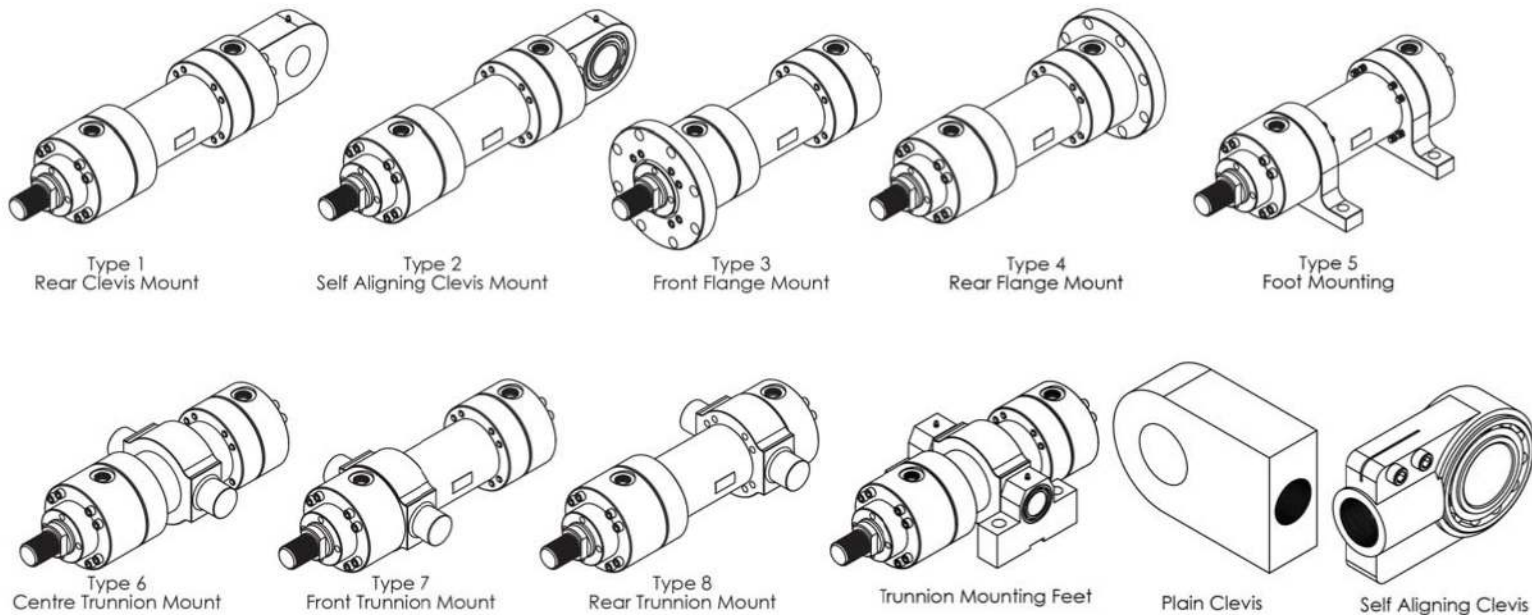
ZH-B50 BOLTED CONSTRUCTION HYDRAULIC CYLINDER



Tel: +44 (0) 1172 130042
Web: www.zeushydratech.com



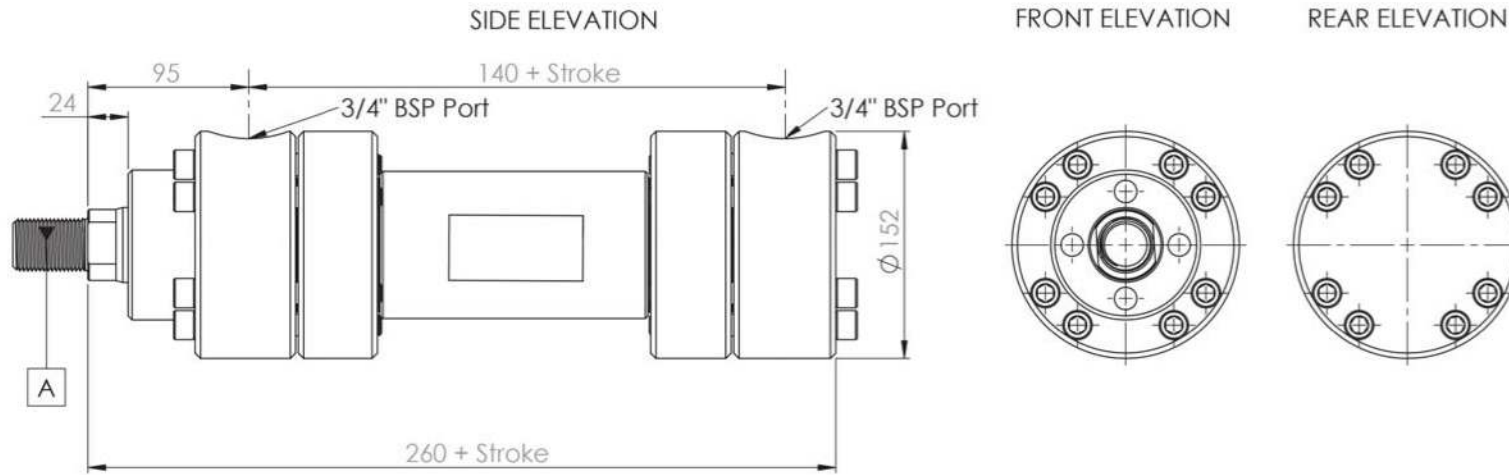
Maximum Working Pressure (BAR)	
250	
A - Optional Rod Sizing	
Rod ϕ & Length	Thread Details
36mm x 36mm	M27 x 1.5P
45mm x 45mm	M33 x 2P



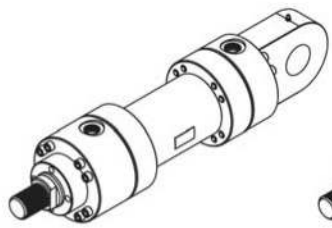
ZH-B63 BOLTED CONSTRUCTION HYDRAULIC CYLINDER



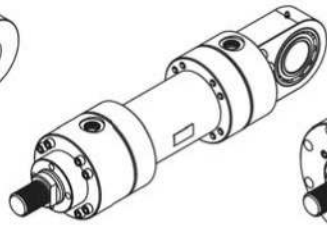
Tel: +44 (0) 1172 130042
 Web: www.zeushydratech.com



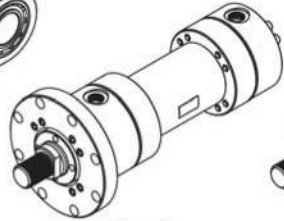
Maximum Working Pressure (BAR)	
250	
A - Optional Rod Sizing	
Rod ϕ & Length	Thread Details
45mm x 45mm	M33 x 2P
56mm x 56mm	M42 x 2P



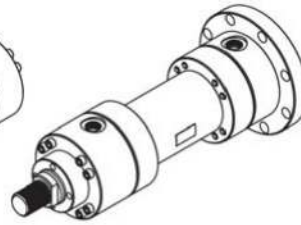
Type 1
Rear Clevis Mount



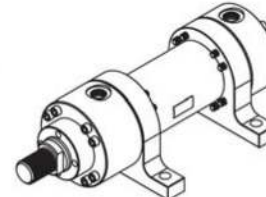
Type 2
Self Aligning Clevis Mount



Type 3
Front Flange Mount

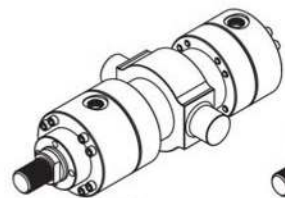
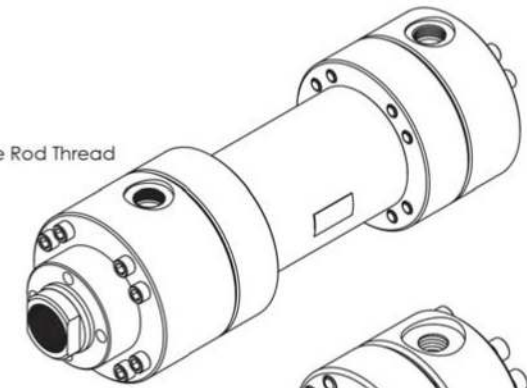


Type 4
Rear Flange Mount

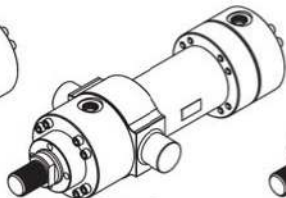


Type 5
Foot Mounting

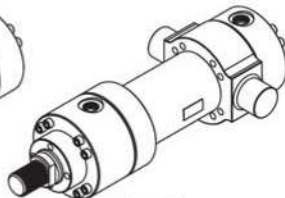
Female Rod Thread



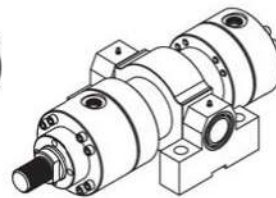
Type 6
Centre Trunnion Mount



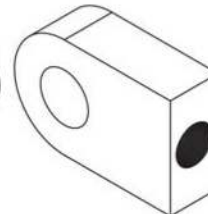
Type 7
Front Trunnion Mount



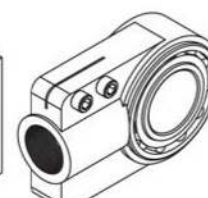
Type 8
Rear Trunnion Mount



Trunnion Mounting Feet

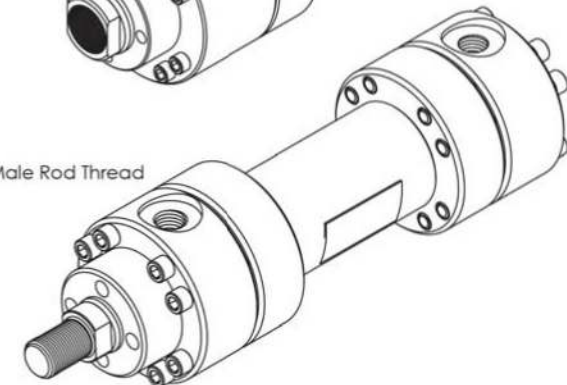


Plain Clevis



Self Aligning Clevis

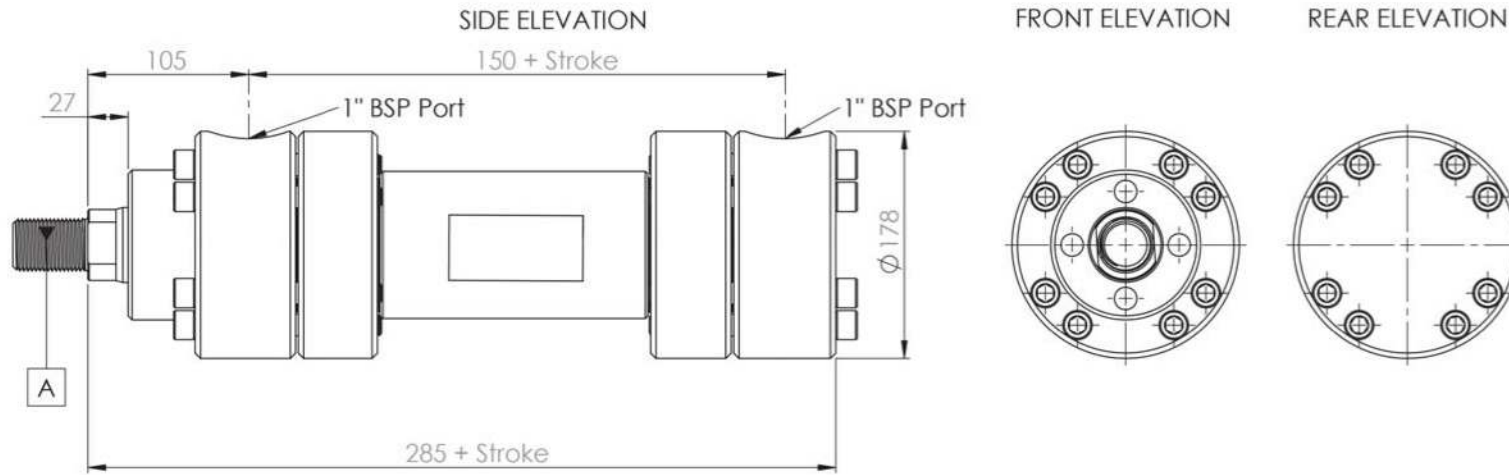
Male Rod Thread



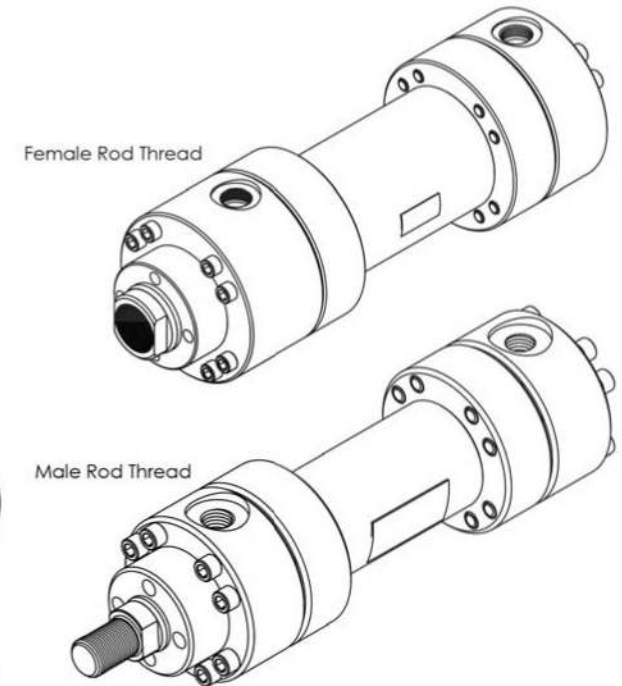
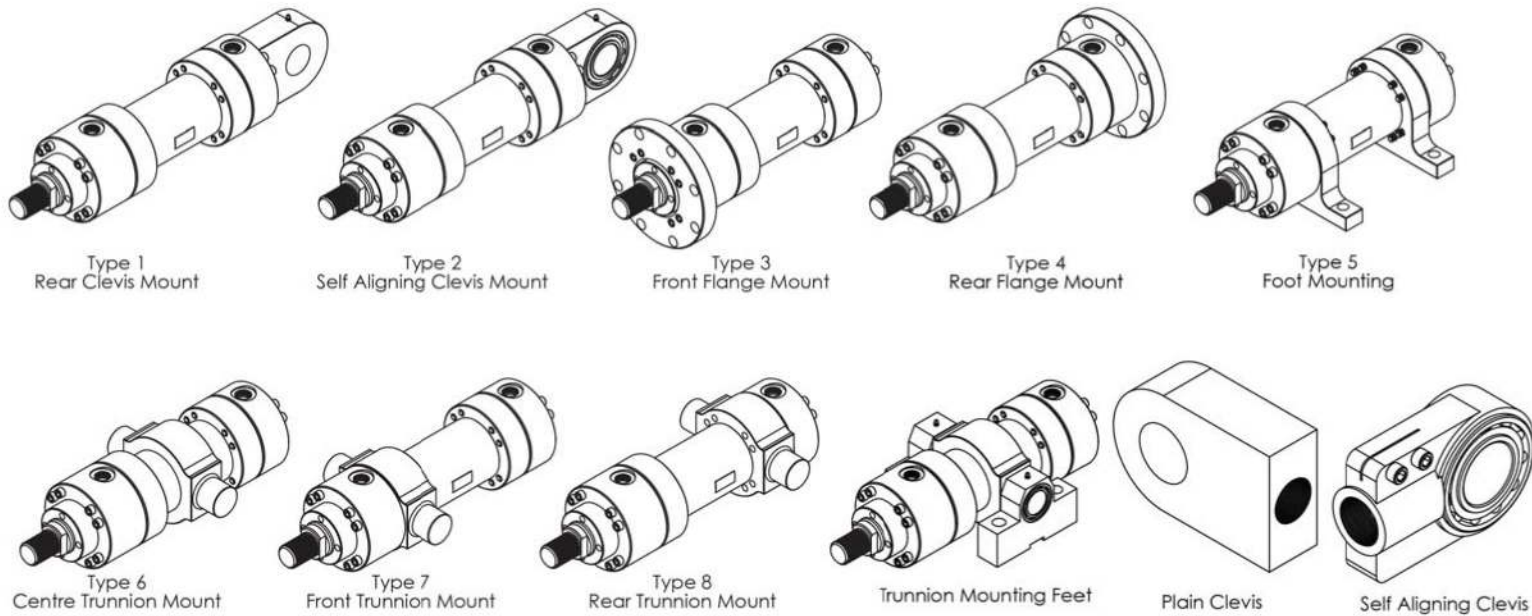
ZH-B80 BOLTED CONSTRUCTION HYDRAULIC CYLINDER



Tel: +44 (0) 1172 130042
 Web: www.zeushydratech.com



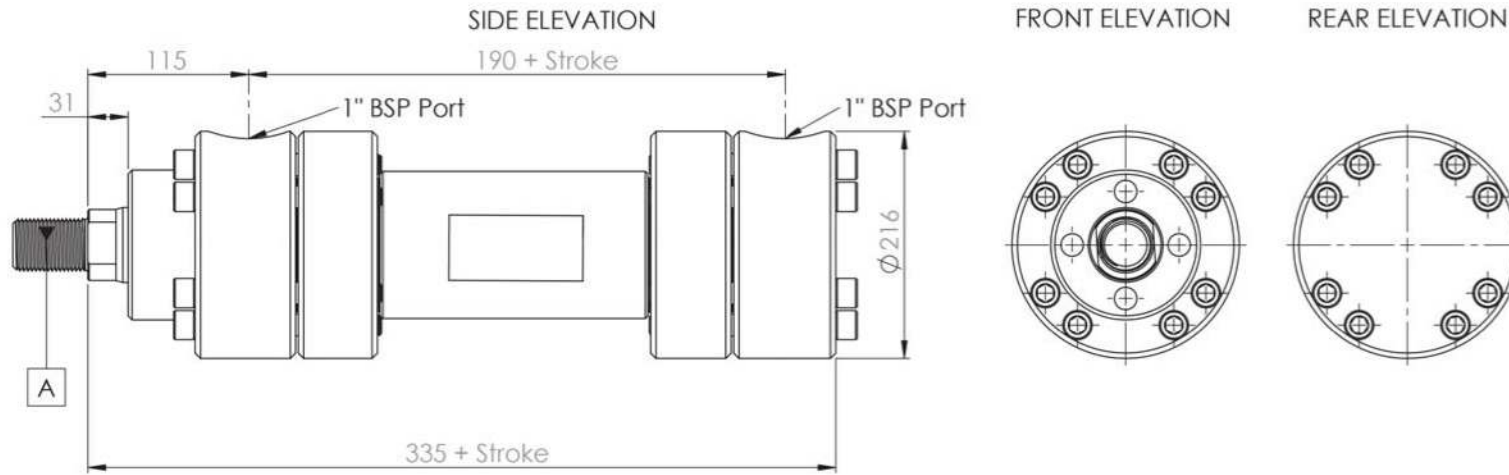
Maximum Working Pressure (BAR)	
250	
A - Optional Rod Sizing	
Rod ϕ & Length	Thread Details
56mm x 56mm	M42 x 2P
70mm x 63mm	M48 x 2P



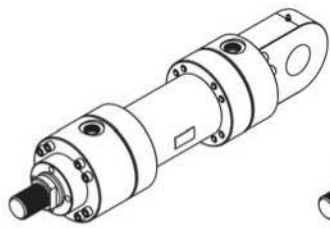
ZH-B100 BOLTED CONSTRUCTION HYDRAULIC CYLINDER



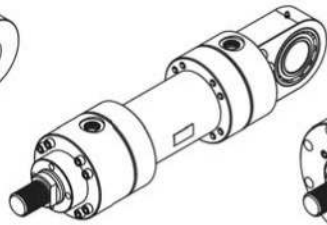
Tel: +44 (0) 1172 130042
Web: www.zeushydratech.com



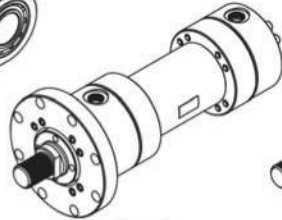
Maximum Working Pressure (BAR)	
250	
A - Optional Rod Sizing	
Rod ϕ & Length	Thread Details
70mm x 63mm	M48 x 2P
90mm x 85mm	M64 x 3P



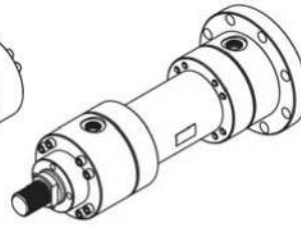
Type 1
Rear Clevis Mount



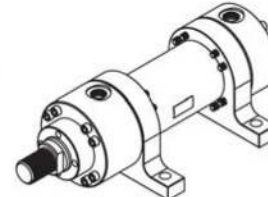
Type 2
Self Aligning Clevis Mount



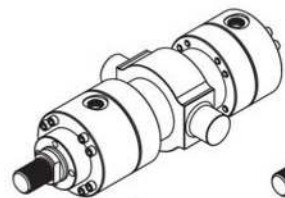
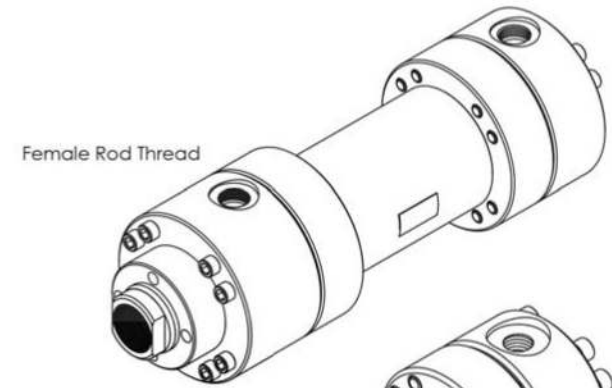
Type 3
Front Flange Mount



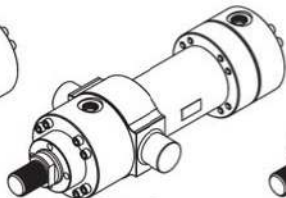
Type 4
Rear Flange Mount



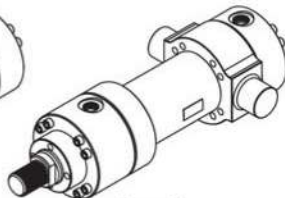
Type 5
Foot Mounting



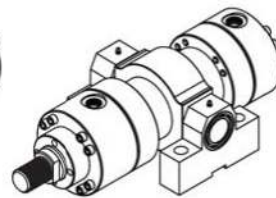
Type 6
Centre Trunnion Mount



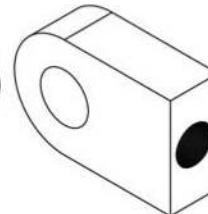
Type 7
Front Trunnion Mount



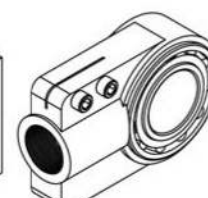
Type 8
Rear Trunnion Mount



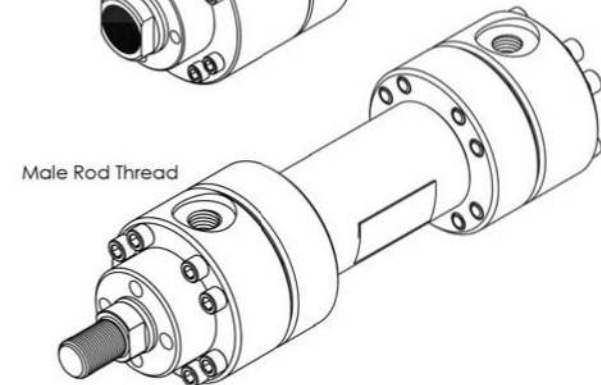
Trunnion Mounting Feet



Plain Clevis



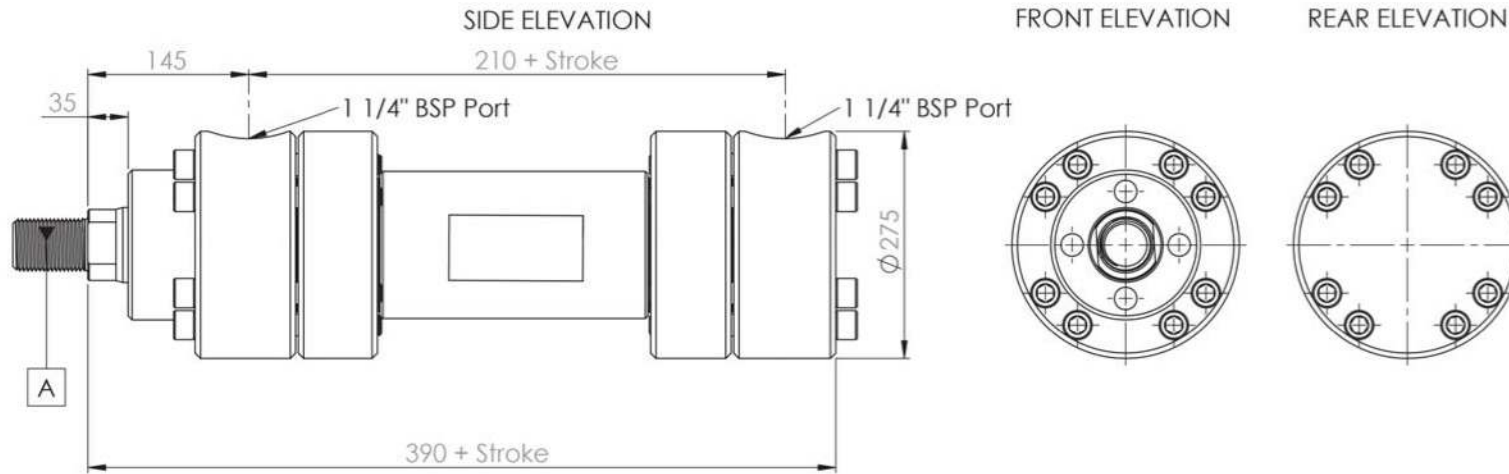
Self Aligning Clevis



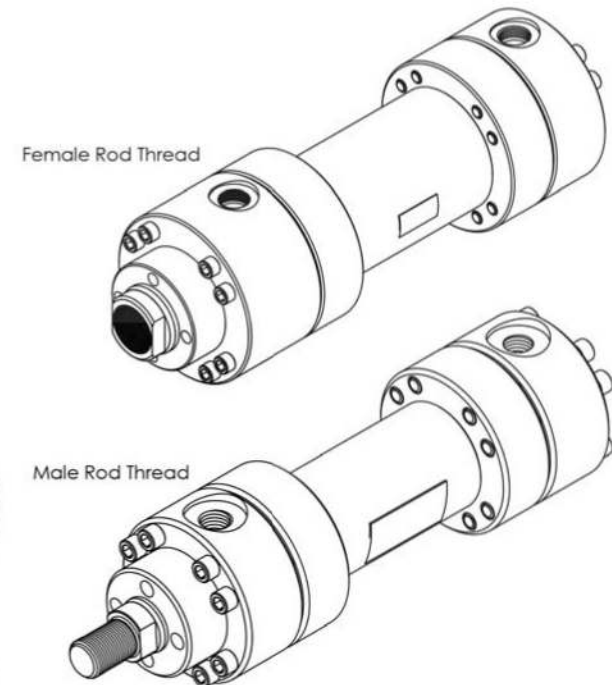
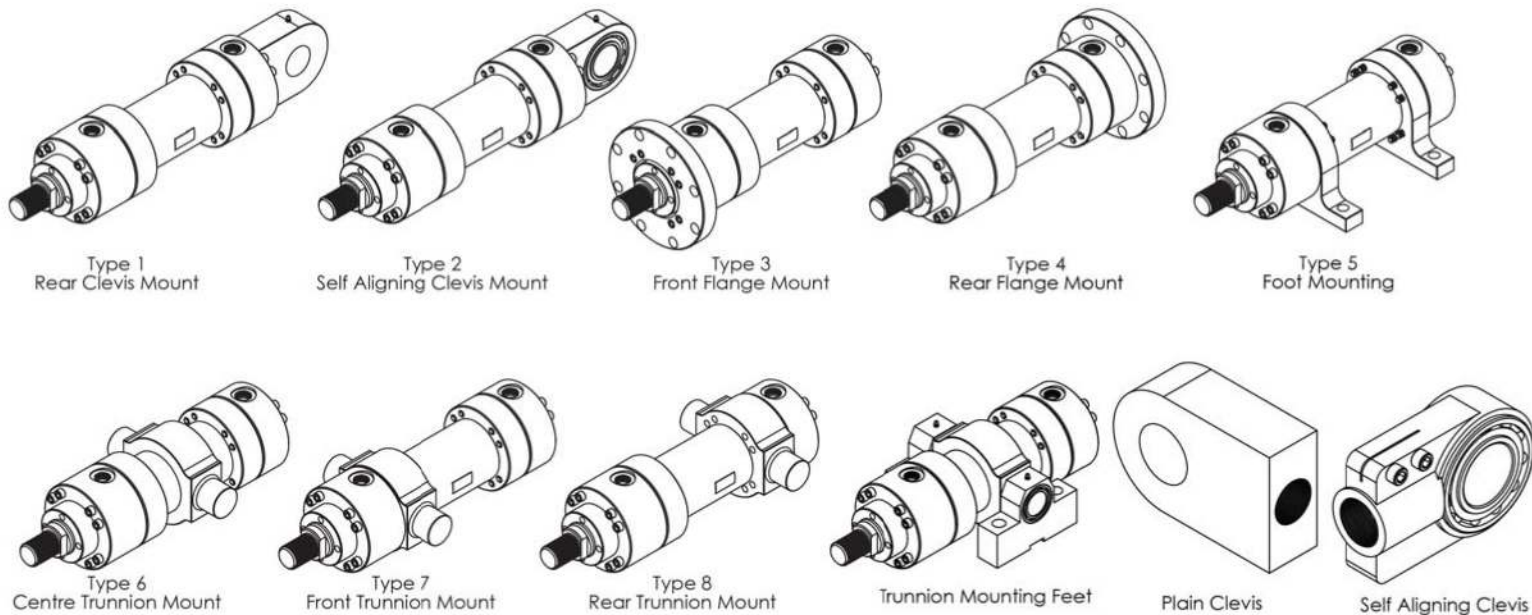
ZH-B125 BOLTED CONSTRUCTION HYDRAULIC CYLINDER



Tel: +44 (0) 1172 130042
Web: www.zeushydratech.com



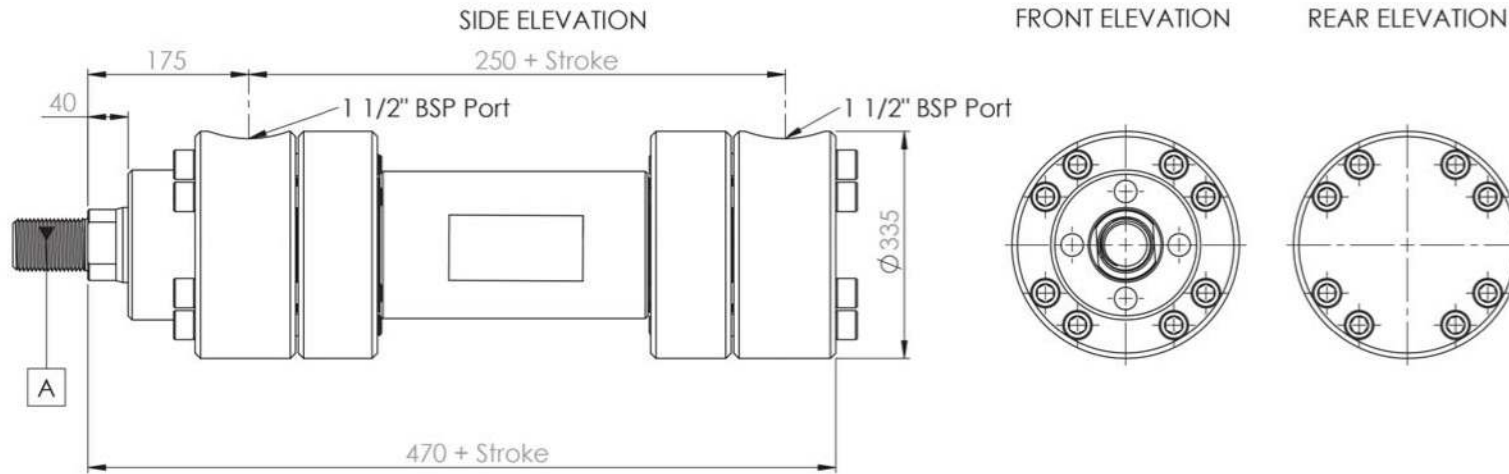
Maximum Working Pressure (BAR)	
250	
A - Optional Rod Sizing	
Rod ϕ & Length	Thread Details
90mm x 85mm	M64 x 3P
110mm x 95mm	M80 x 3P



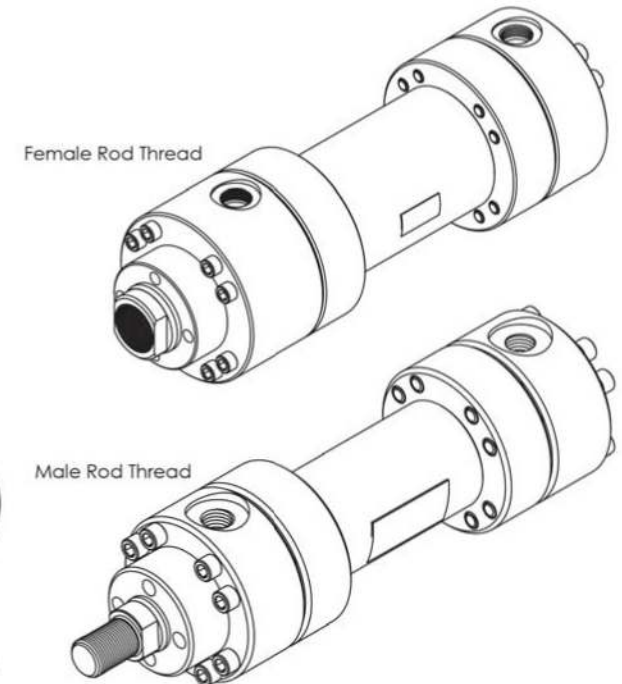
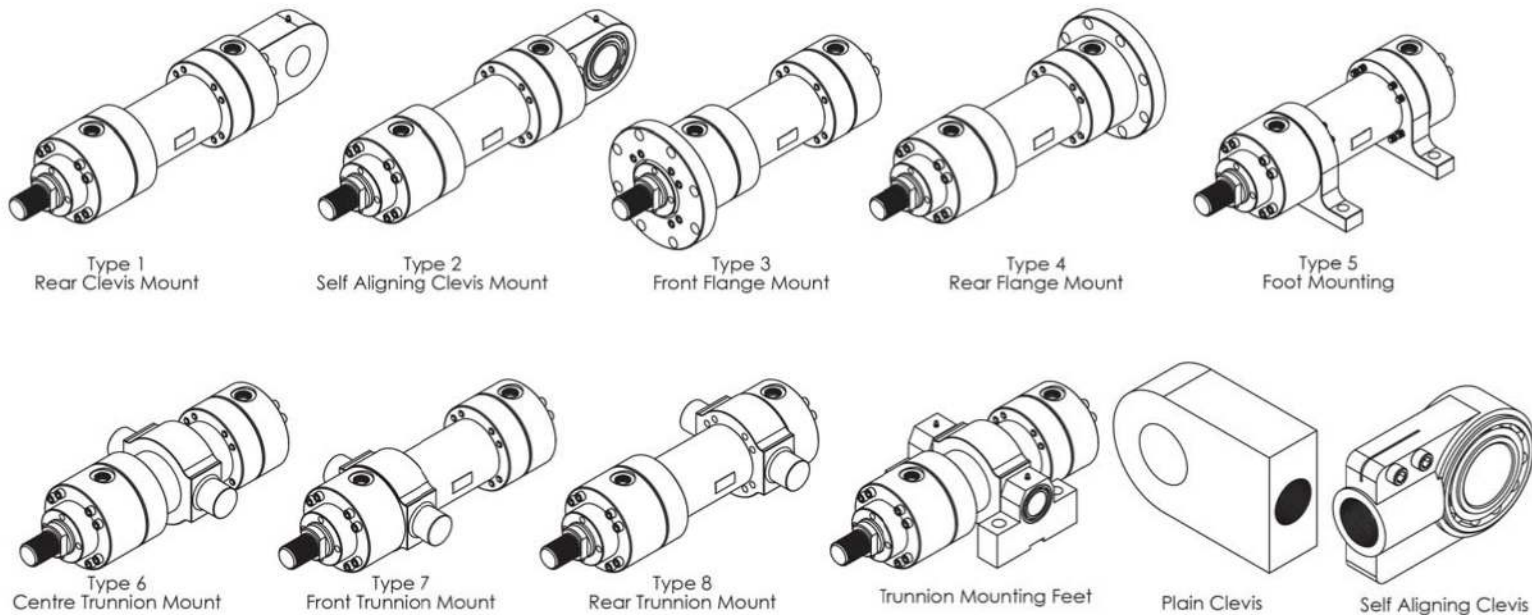
ZH-B160 BOLTED CONSTRUCTION HYDRAULIC CYLINDER



Tel: +44 (0) 1172 130042
Web: www.zeushydratech.com



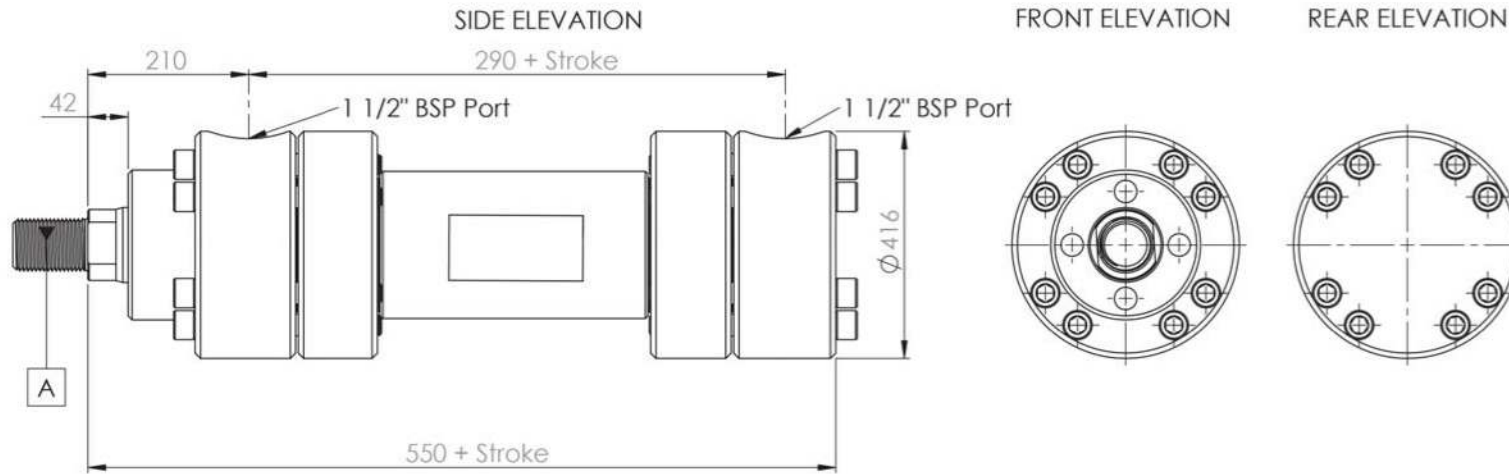
Maximum Working Pressure (BAR)	
250	
A - Optional Rod Sizing	
Rod ϕ & Length	Thread Details
110mm x 95mm	M80 x 3P
140mm x 112mm	M100 x 3P



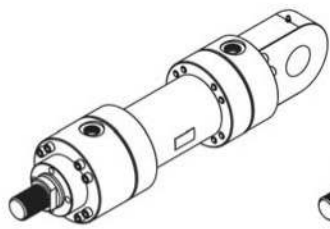
ZH-B200 BOLTED CONSTRUCTION HYDRAULIC CYLINDER



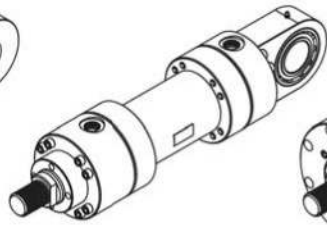
Tel: +44 (0) 1172 130042
Web: www.zeushydratech.com



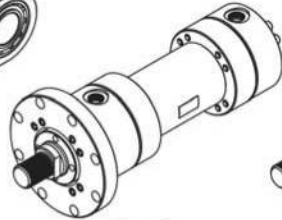
Maximum Working Pressure (BAR)	
250	
A - Optional Rod Sizing	
Rod ϕ & Length	Thread Details
140mm x 112mm	M100 x 3P
180mm x 125mm	M125 x 4P



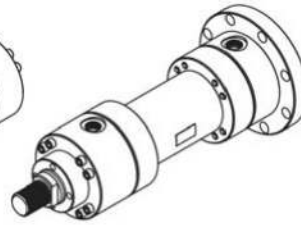
Type 1
Rear Clevis Mount



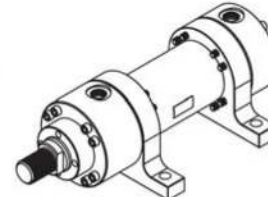
Type 2
Self Aligning Clevis Mount



Type 3
Front Flange Mount

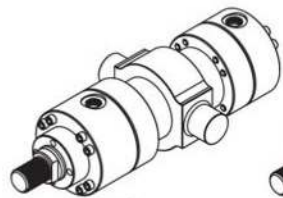
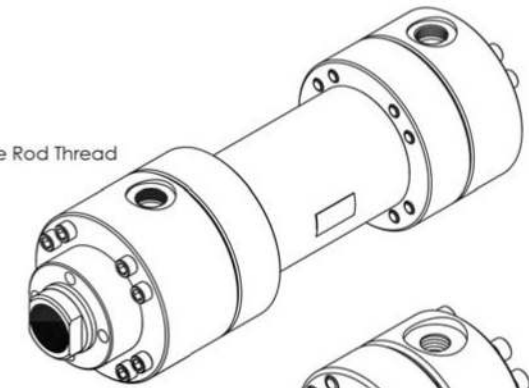


Type 4
Rear Flange Mount

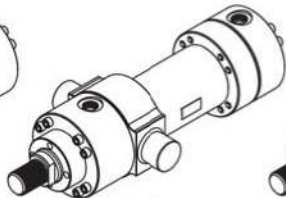


Type 5
Foot Mounting

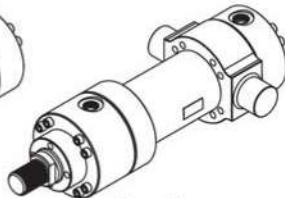
Female Rod Thread



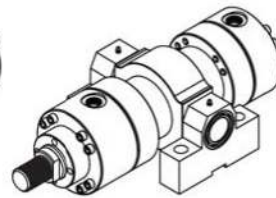
Type 6
Centre Trunnion Mount



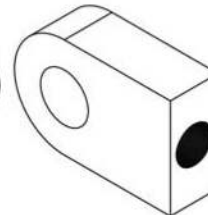
Type 7
Front Trunnion Mount



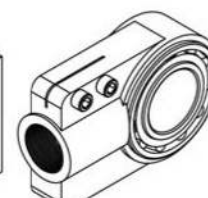
Type 8
Rear Trunnion Mount



Trunnion Mounting Feet

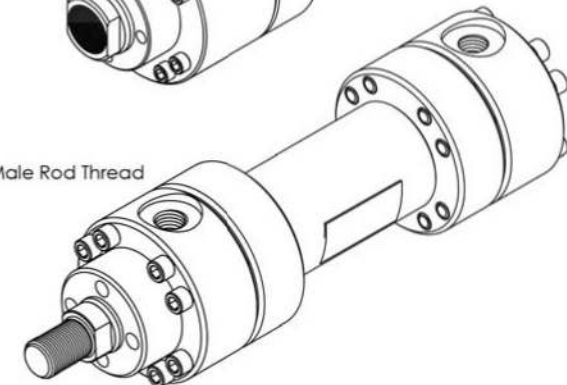


Plain Clevis



Self Aligning Clevis

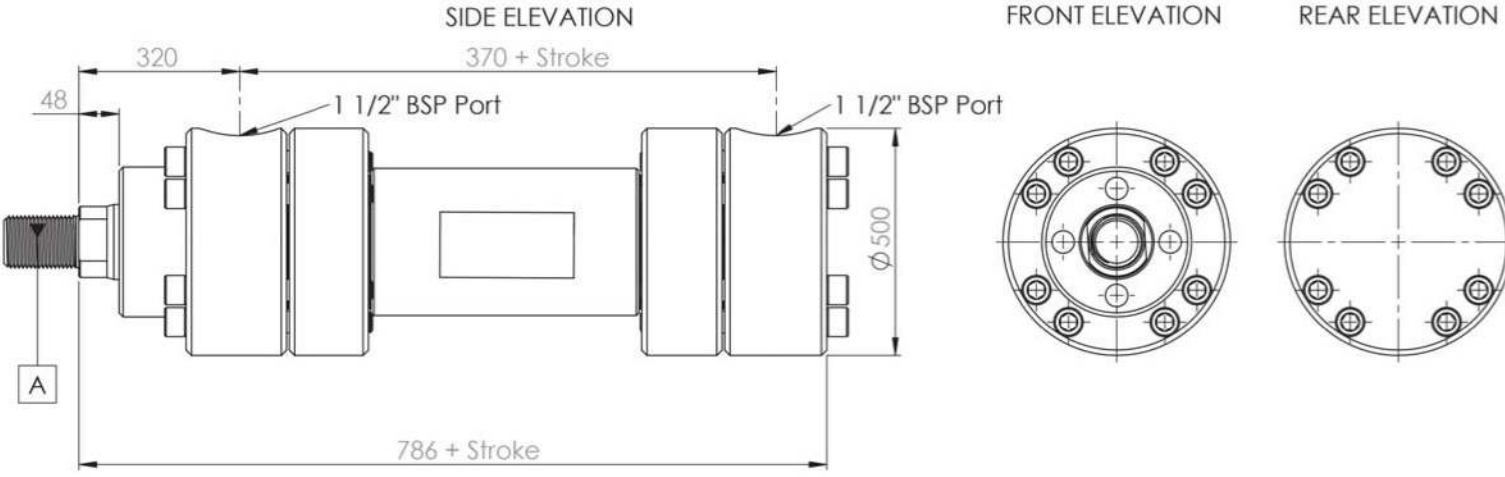
Male Rod Thread



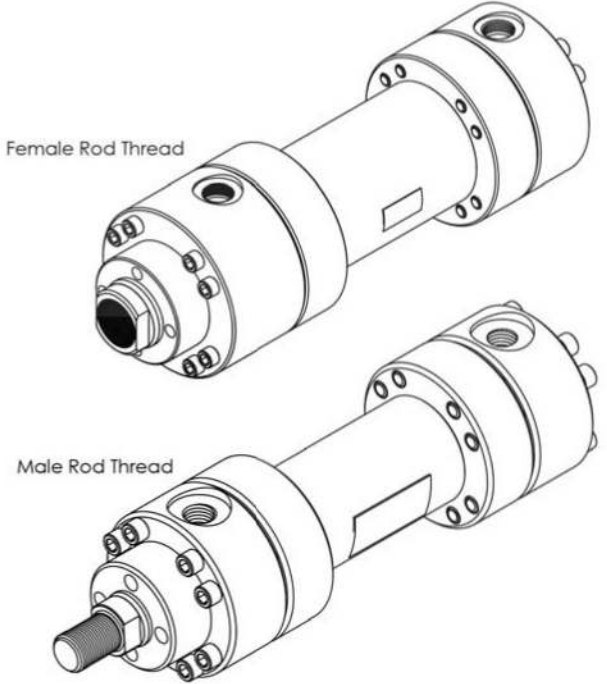
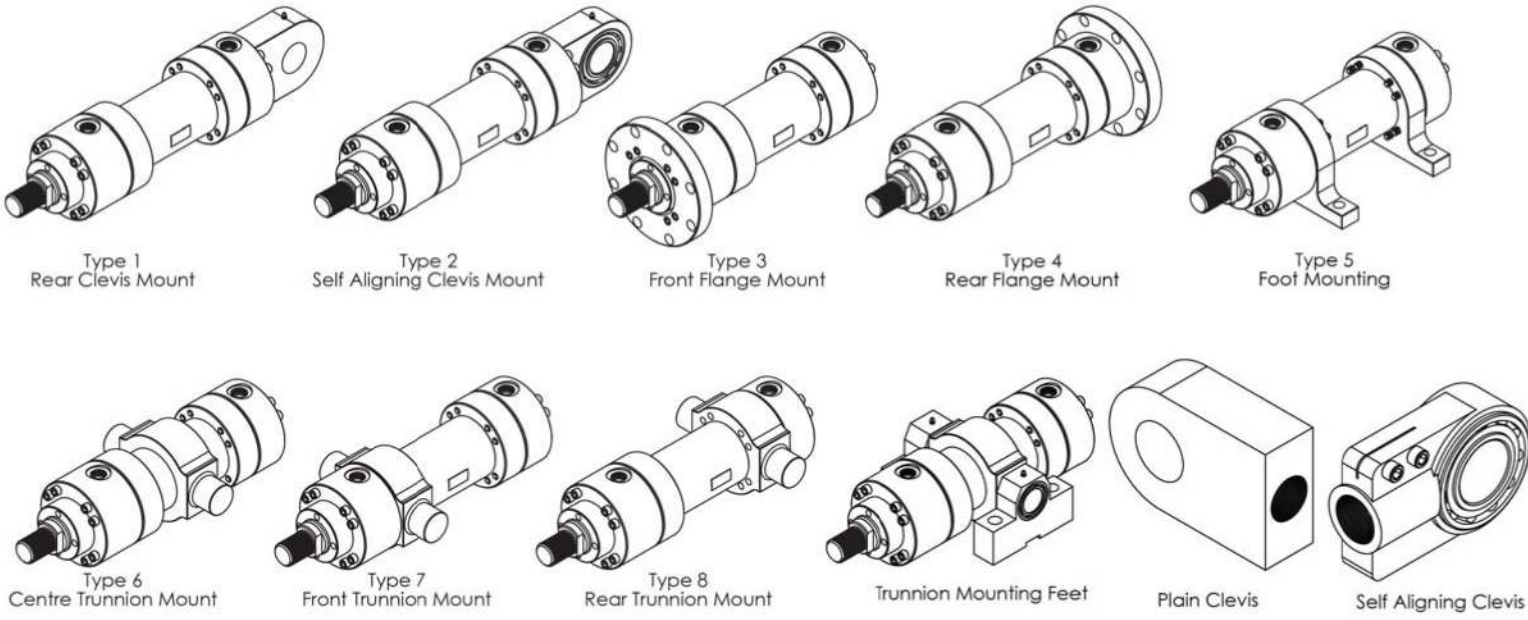
ZH-B250 BOLTED CONSTRUCTION HYDRAULIC CYLINDER



Tel: +44 (0) 1172 130042
Web: www.zeushydratech.com



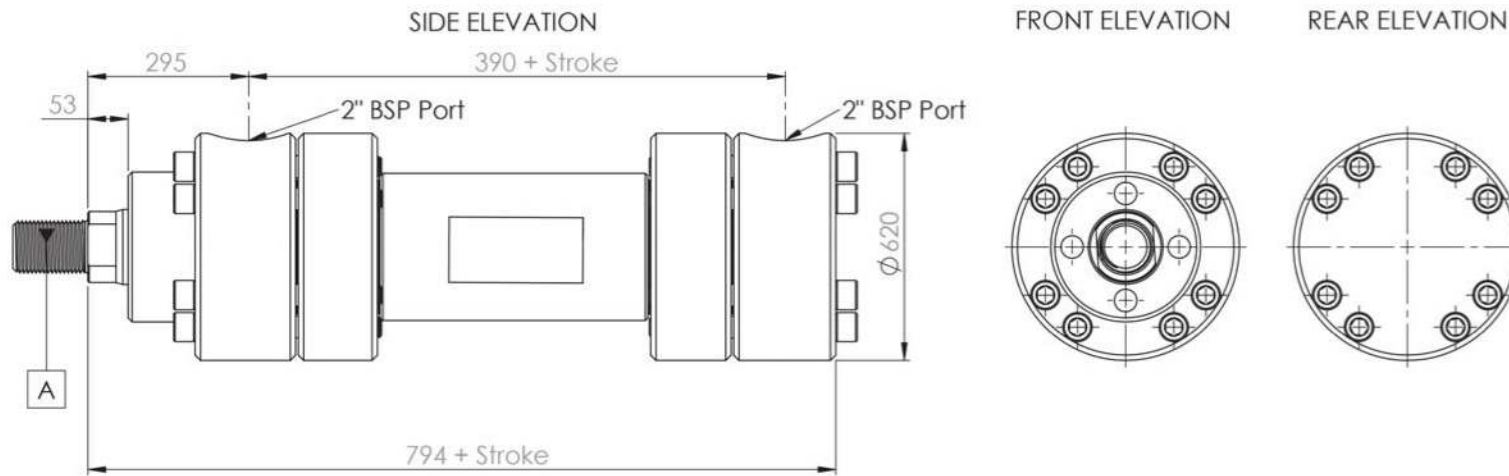
Maximum Working Pressure (BAR)	
250	
A - Optional Rod Sizing	
Rod ϕ & Length	Thread Details
200mm x 160mm	M160 x 4P
220mm x 160mm	M160 x 4P



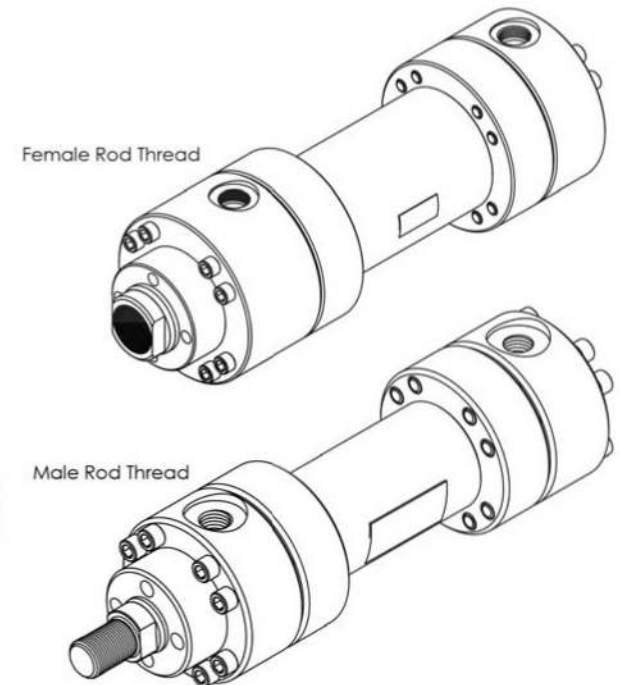
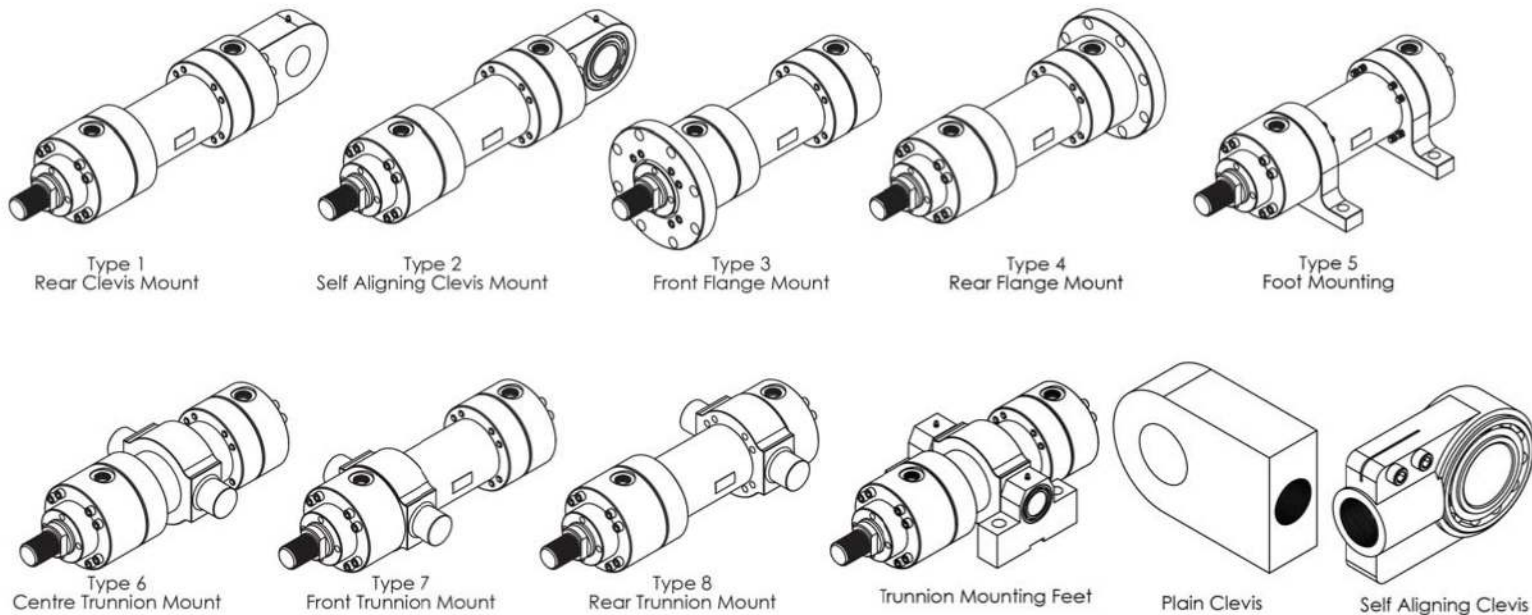
ZH-B320 BOLTED CONSTRUCTION
HYDRAULIC CYLINDER



Tel: +44 (0) 1172 130042
Web: www.zeushydratech.com



Maximum Working Pressure (BAR)	
250	
A - Optional Rod Sizing	
Rod ϕ & Length	Thread Details
250mm x 200mm	M200 x 4P
280mm x 200mm	M200 x 4P



ZH-B400 BOLTED CONSTRUCTION HYDRAULIC CYLINDER



Tel: +44 (0) 1172 130042
Web: www.zeushydratech.com