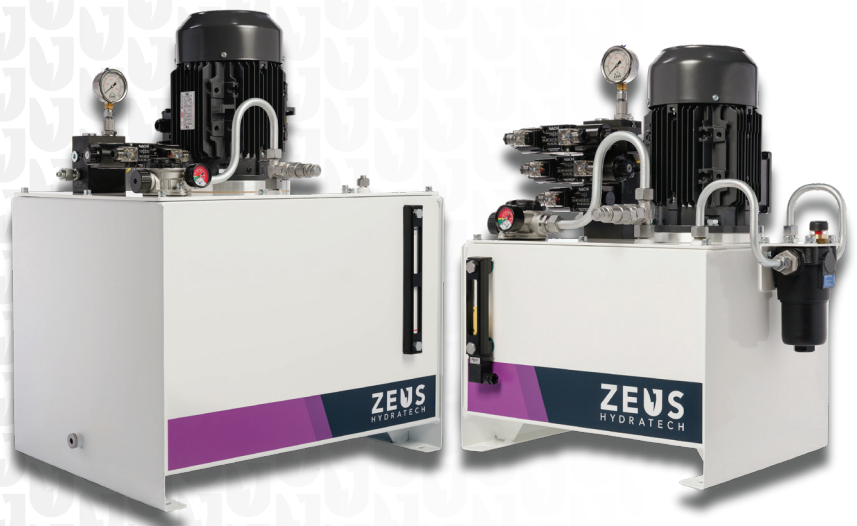


ZEUS
HYDRATECH

INDUSTRIAL HYDRAULIC
POWER UNITS
2024

BREAKING
THE MOULD



RETURN FILTER INTEGRAL BREATHER

Our industrial power units feature direct-mounted breathers fitted to the return filter housing.

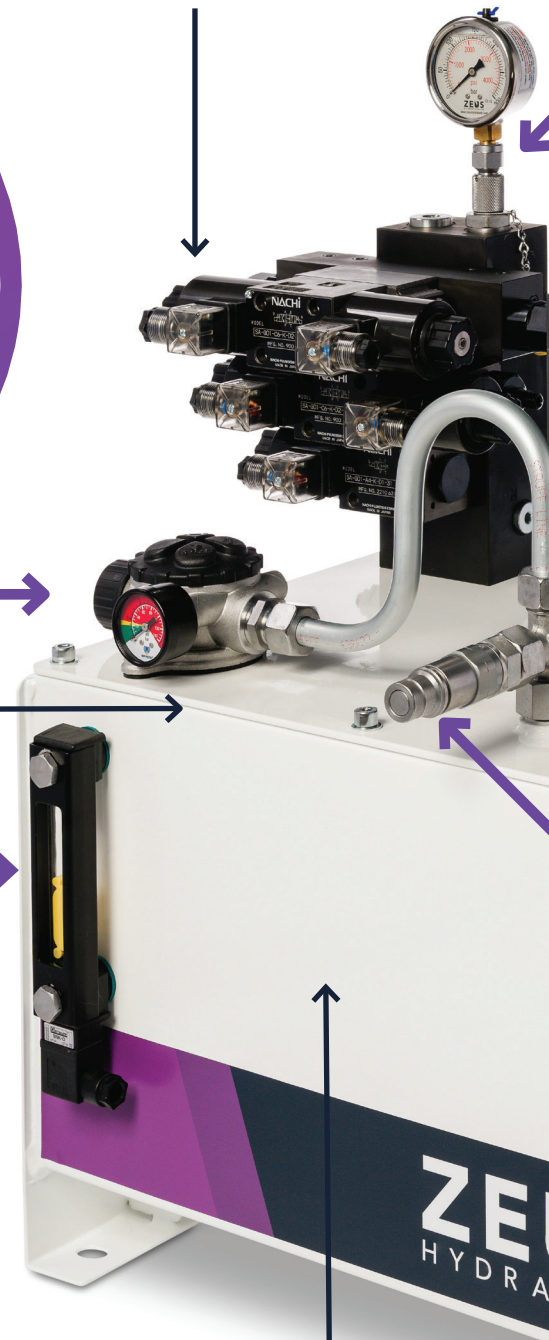
These contain exchangeable elements with high dirt-holding capacities.

This design ensures contamination is minimised when filling.

The integral breather maximises space efficiency and removes the need for an extra hole in the tank lid.



CUSTOMISE YOUR HPU WITH 100'S OF VALVE OPTIONS



NITRILE SINGLE PIECE GASKET FOR OPTIMAL SEALING AND RESISTANCE TO DEGRADATION.

OVERSIZED LEVEL GAUGE

We use the largest standard level gauges available to facilitate regular checking of the oil level.

Options available:

- Low level switch
- Thermometer
- High temperature switch



ALL INTERNAL CONNECTIONS ARE MADE WITH STEEL TUBING FOR STRENGTH AND LONGEVITY

REAR PORTED MANIFOLD

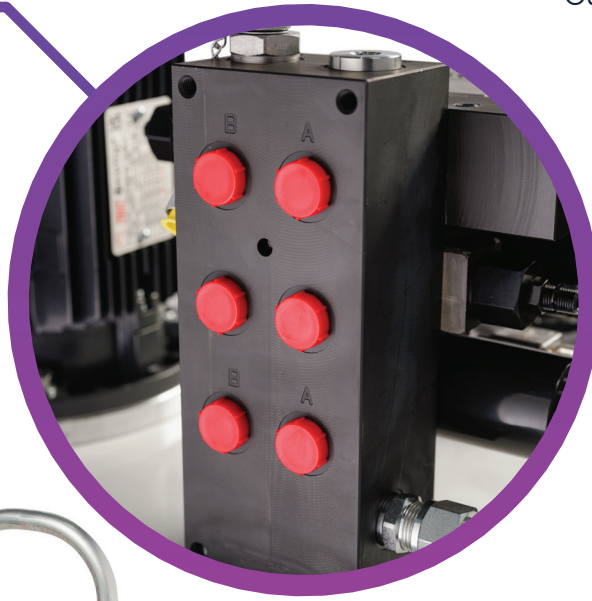
Our rear ported manifold enables:

Clear access for tools to connection ports.

Simple routing of hose and tubing to the machine.

Easy access to valves for setting and commissioning.

Ports are clearly stamped for identification.



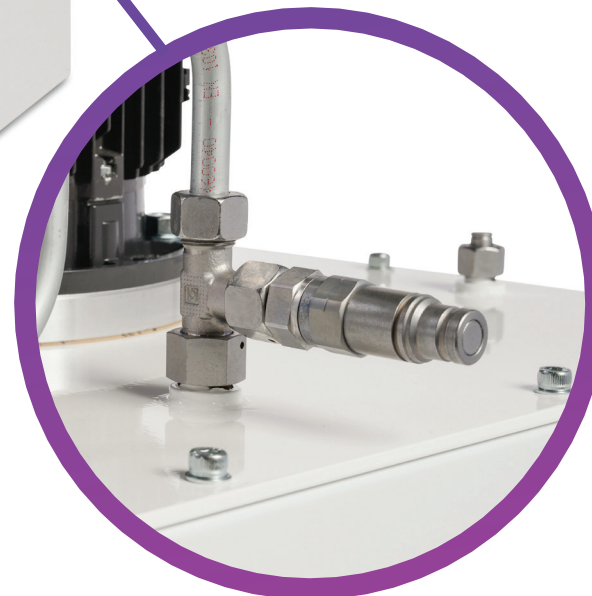
← **OPTIONAL
PRESSURE FILTER**

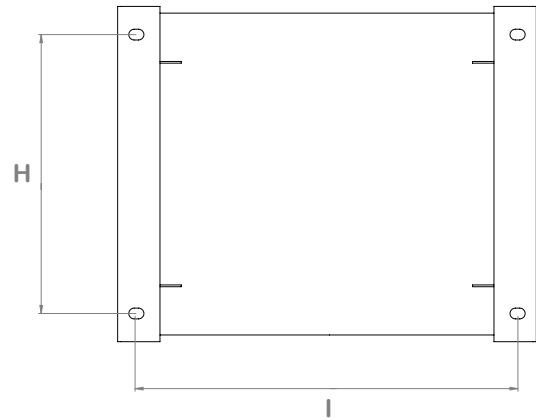
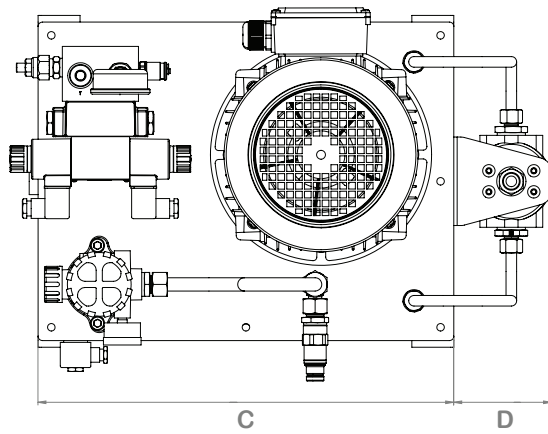
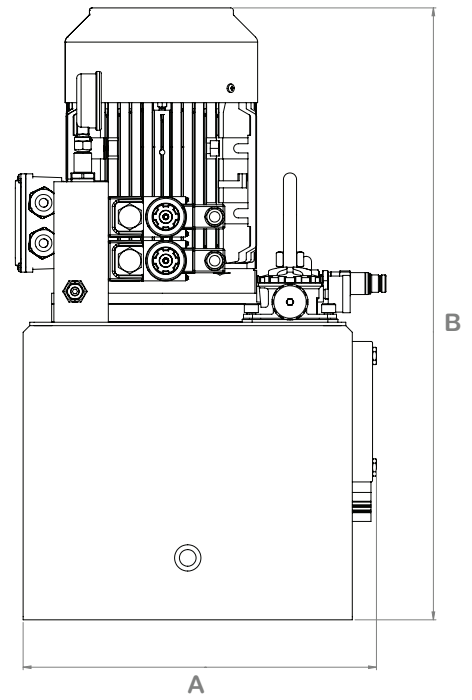
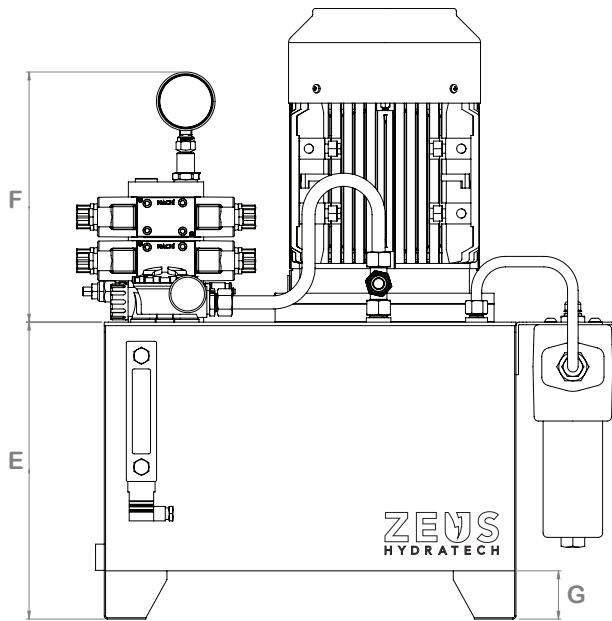
FILLING POINT QUICK RELEASE COUPLING

Each HPU has a fixed filling point quick release coupling set.

This facilitates the pumping of new oil through the return filter, which cleans the oil to 10 microns - considerably finer than traditional systems.

The end result is a significant reduction in contamination and consequent wear on critical components.



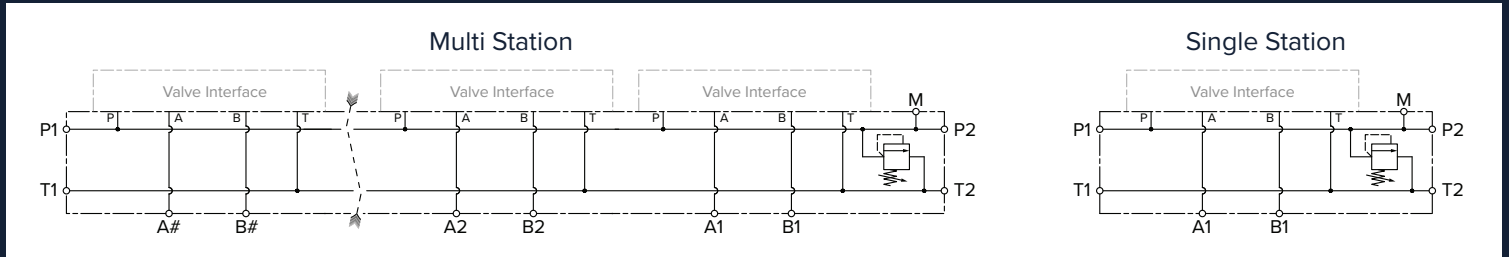


DIMENSIONS (MM)

Reservoirs	A	B	C	D	E	F	G	H	I
30 Ltr	410	Min 595 Max 700	500	110	335	Min 240 Max 490	55	312	428
100 Ltr	555	Min 840 Max 1030	675	110	505	Min 240 Max 490	55	455	625
180 Ltr	655	Min 1000 Max 1160	805	130	555	Min 240 Max 490	55	555	755
300 Ltr	735	Min 1220 Max 1385	900	150	700	Min 260 Max 480	100	610	820

MANIFOLD OPTIONS *more configurations available on request

Valve Size	No. of Stations	P	T	A	B	M
Cetop 3 / NG6 (up to 50L/min)	Up to 6	1/2"	1/2"	3/8"	3/8"	1/4"
Cetop 5 / NG10 (up to 130L/min)	Up to 4	3/4"	3/4"	1/2"	1/2"	1/4"



VALVE OPTIONS

C5 All Ports Closed	C6 A&B - T P Closed	C4 All Ports Open	COILS <table border="1"> <tr> <td>24VDC</td> <td>230VAC</td> </tr> <tr> <td>12VDC</td> <td>110VAC</td> </tr> </table>	24VDC	230VAC	12VDC	110VAC
24VDC	230VAC						
12VDC	110VAC						
C7Y P - T A&B Closed	A4 All Open Single Sol	100's of options available on request <ul style="list-style-type: none"> • Additional valve configurations • Pressure sensors • Contamination monitoring • Coolers • Flow dividers • Tank bunding 					
Dual PO Check	P-Line Pressure Reducing	A&B - T Relief Valve					

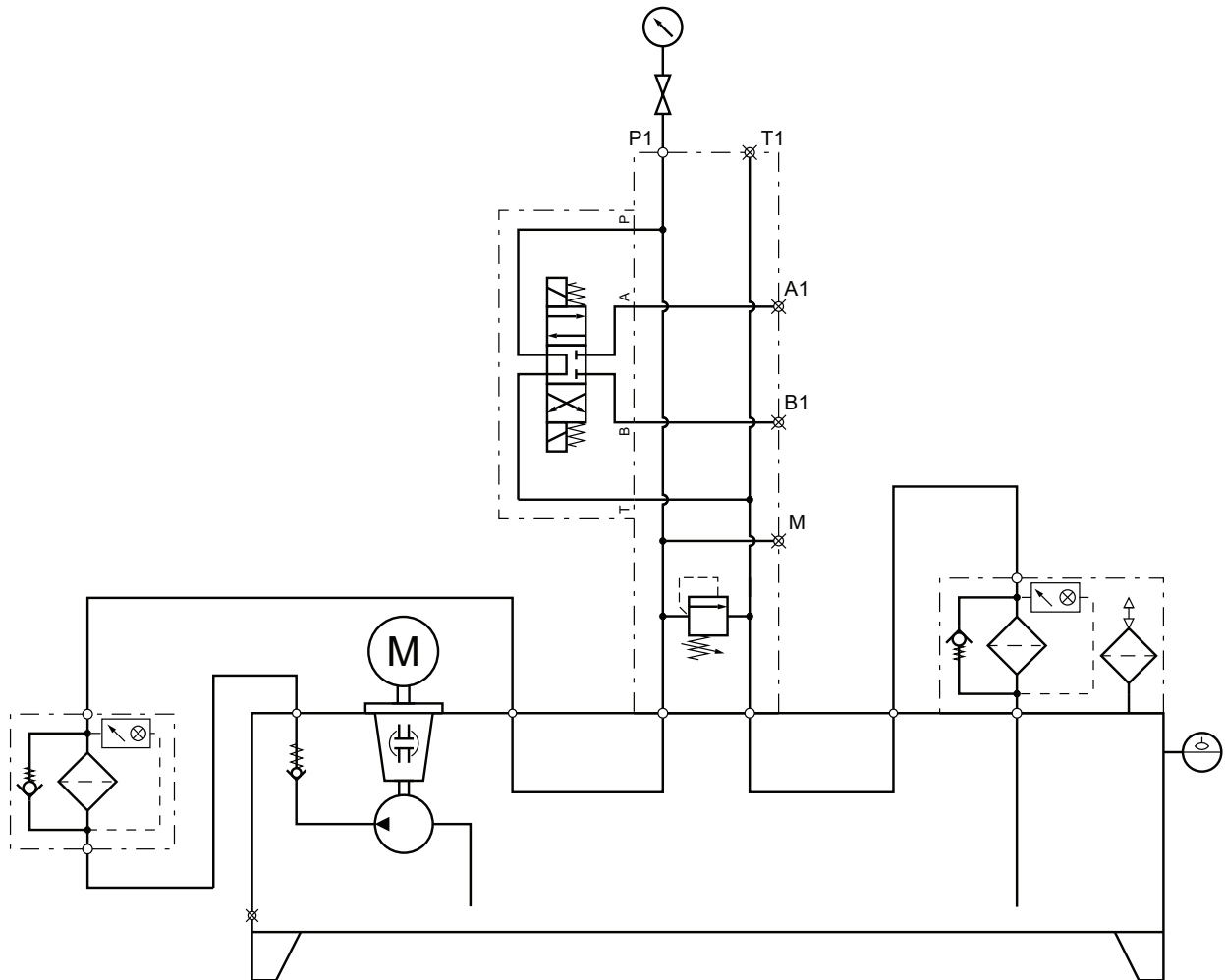
LEVEL / TEMPERATURE GAUGE OPTIONS

Visual Level No Temp	Visual Level Visual Temp	Visual Level Electrical Temp	Electrical Level No Temp	Electrical Level Visual Temp	Electrical Level Electrical Temp
-----------------------------	---------------------------------	-------------------------------------	---------------------------------	-------------------------------------	---

EXAMPLE CIRCUIT

Shown with Options

Pressure Filter / 1 Station Manifold / C7Y Directional Valve / Visual Level-No Temp Gauge



ZEUS
HYDRATECH

Unit 4, Old Mills Court
Bristol
BS39 7SW, United Kingdom

E: HPU@zeushydratech.com

T: +44(0) 1172 130042

W: www.zeushydratech.com