

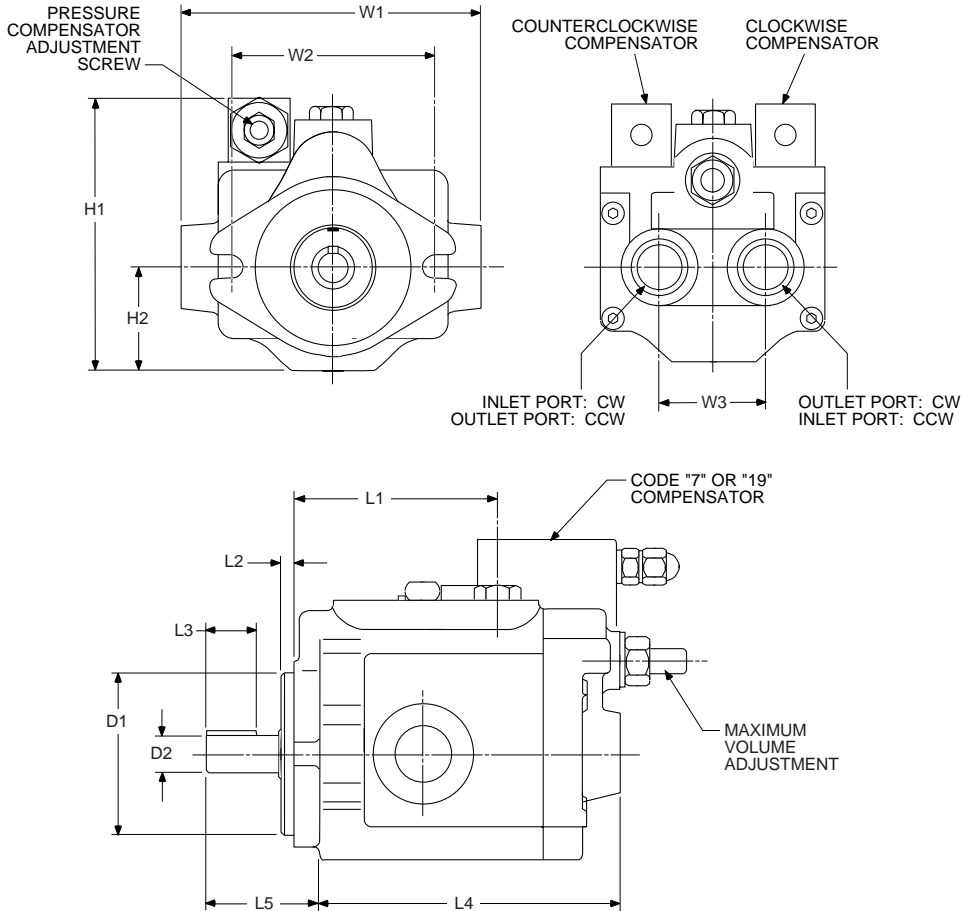
HPV SERIES AXIAL PISTON PUMPS

HPV-6 PUMP INTERCHANGE INFORMATION



CONTINENTAL HYDRAULICS HPV-6 to REPLACE VICKERS PVB6

Dimension shown in: INCHES
(MILLIMETERS)



NOTE: To be used as a preliminary guide for comparison purposes only.

DIMENSIONS

	L1	L2	L3	L4	L5	W1	W2	W3	H1	H2	D1	D2
Continental Hyd. HPV-6	4.27 (108.5)	0.24 (6.1)	1.00 (25.4)	6.43 (163.3)	1.79 (45.5)	6.11 (155.2)	4.17 (105.9)	2.25 (57.2)	5.62 (142.7)	2.15 (54.6)	3.250 (82.6)	0.75 (19.0)
Vickers PVB6	4.28 (108.7)	0.24 (6.1)	1.00 (25.4)	6.44 (163.6)	1.75 (44.5)	7.13 (181.1)	4.18 (106.2)	2.25 (57.2)	5.18 (131.6)	2.06 (52.3)	3.250 (82.6)	0.75 (19.0)

* Noteworthy Difference

*

*

*

	DISPLACEMENT cu. in./rev.	THEORETICAL FLOW @ 1750 rpm	CONTINUOUS		INTERMITTENT	PORTS	
			Speed rpm*	psi (bar)	psi (bar)	Inlet/Outlet	Fill/Drain
Continental Hyd. HPV-6	.880	6.7	2700	3000 (207)	4000 (276)	SAE-12	SAE-8
Vickers PVB6	.843	6.4	2200	2000 (138)	---	SAE-12	SAE-6

* @ -5 in-Hg inlet.