

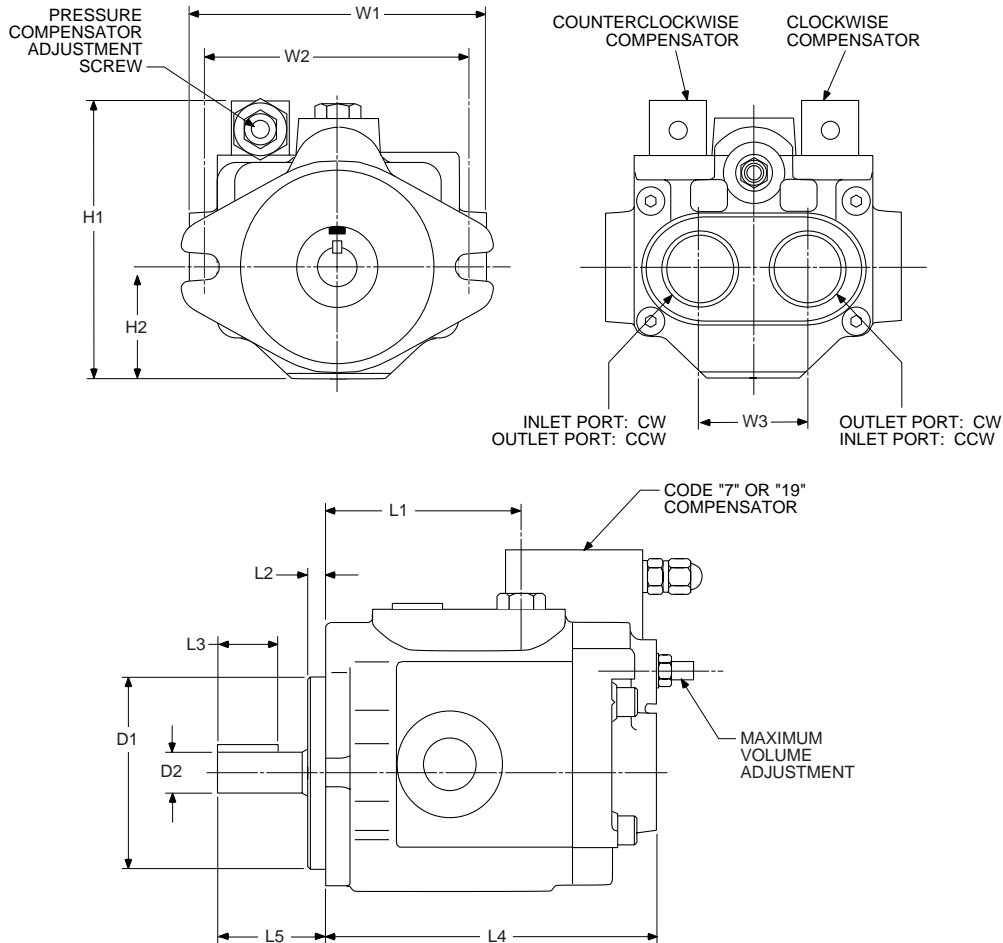


HPV SERIES AXIAL PISTON PUMPS

HPV-10 PUMP INTERCHANGE INFORMATION

CONTINENTAL HYDRAULICS HPV-10 to REPLACE VICKERS PVB10

Dimension shown in: INCHES
(MILLIMETERS)



NOTE: To be used as a preliminary guide for comparison purposes only.

DIMENSIONS

	L1	L2	L3	L4	L5	W1	W2	W3	H1	H2	D1	D2
Continental Hyd. HPV-10	4.31 (109.5)	0.37 (9.4)	1.25 (31.7)	6.82 (173.2)	2.31 (58.7)	6.47 (164.3)	5.75 (146.1)	2.36 (59.9)	6.11 (155.2)	2.36 (59.9)	4.00 (101.6)	0.875 (22.22)
Vickers PVB10	4.87 (123.7)	0.37 (9.4)	1.00 (25.4)	7.44 (189.0)	2.31 (58.7)	7.36 (186.9)	5.75 (146.1)	2.62 (66.5)	5.81 (147.6)	2.56 (65.0)	4.00 (101.6)	0.875 (22.22)

* Noteworthy Difference * * * * * * * * *

	DISPLACEMENT cu. in./rev.	THEORETICAL FLOW @ 1750 rpm	CONTINUOUS		INTERMITTENT	PORTS	
			Speed rpm*	psi (bar)	psi (bar)	Inlet/Outlet	Fill/Drain
Continental Hyd. HPV-10	1.260	9.5	2550	3000 (207)	4000 (276)	SAE-20	SAE-10
Vickers PVB10	1.290	9.8	2250	3000 (207)	---	SAE-20	SAE-8

* @ -5 in-Hg inlet.