

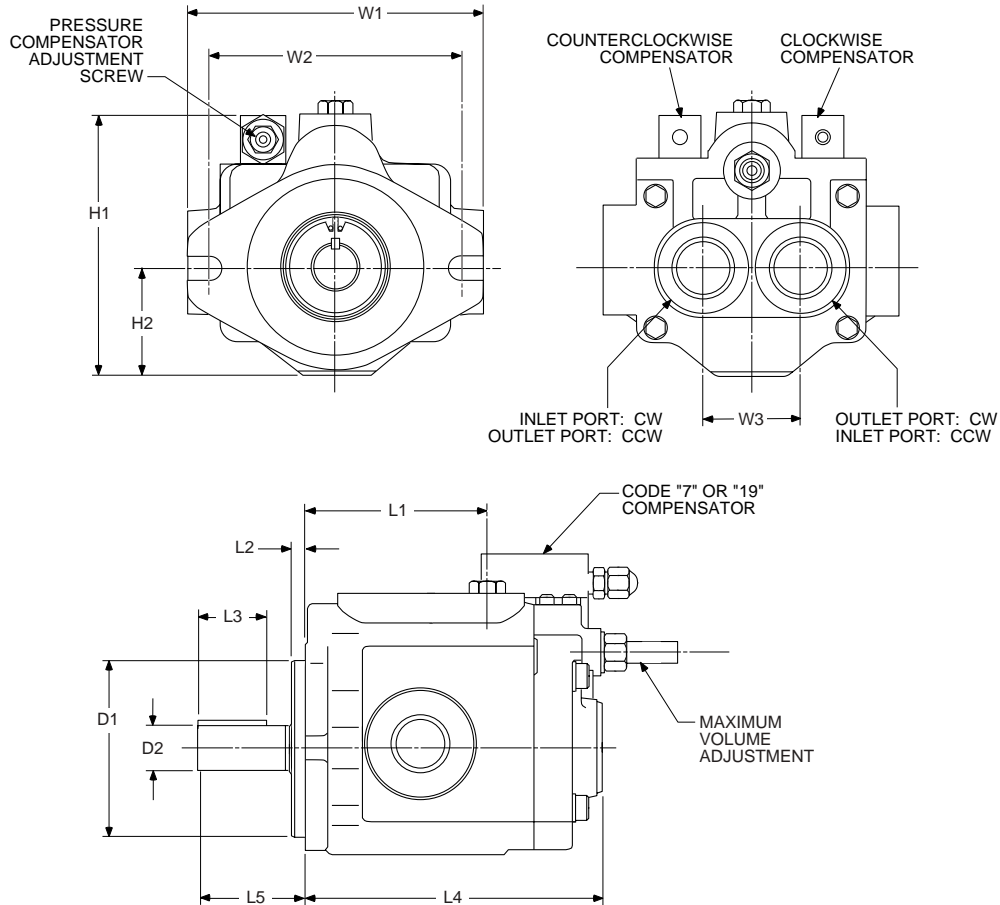


# HPV SERIES AXIAL PISTON PUMPS

## HPV-20 PUMP INTERCHANGE INFORMATION

### CONTINENTAL HYDRAULICS HPV-20 to REPLACE VICKERS PVB20

Dimension shown in: INCHES  
(MILLIMETERS)



**NOTE:** To be used as a preliminary guide for comparison purposes only.

#### DIMENSIONS

	L1	L2	L3	L4	L5	W1	W2	W3	H1	H2	D1	D2
<b>Continental Hyd. HPV-20</b>	5.53 (140.5)	0.375 (9.5)	1.25 (31.7)	8.18 (207.8)	2.32 (58.9)	8.28 (210.3)	7.13 (181.1)	2.76 (70.1)	7.46 (189.5)	2.92 (74.2)	5.00 (127.0)	1.250 (31.75)
<b>Vickers PVB20</b>	4.86 (123.4)	0.375 (9.5)	1.25 (31.7)	8.73 (221.7)	2.32 (58.9)	8.88 (225.6)	7.13 (181.1)	3.25 (82.6)	7.44 (189.0)	3.69 (93.7)	5.00 (127.0)	1.250 (31.75)

\* Noteworthy Difference \*

\*

\*

\*

\*

	DISPLACEMENT cu. in./rev.	THEORETICAL FLOW @ 1750 rpm	CONTINUOUS		INTERMITTENT	PORTS	
			Speed rpm*	psi (bar)	psi (bar)	Inlet/Outlet	Fill/Drain
<b>Continental Hyd. HPV-20</b>	2.620	19.8	2200	3500 (241)	4000 (276)	SAE-20	SAE-12
<b>Vickers PVB20</b>	2.610	19.8	1800	3000 (207)	---	SAE-20	SAE-8

\* @ -5 in-Hg inlet.