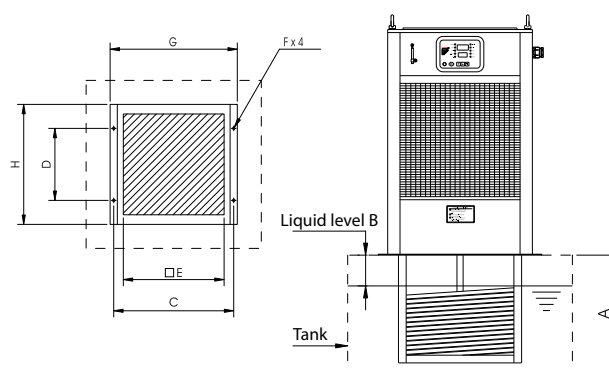


**ZEUS** HYDRATECH LTD  
*Global Suppliers of Premium Hydraulic Components*

**Official UK Distributor for Habor refrigeration chillers**  
T: +44(0)1172 130042. E: [sales@zeushydratech.com](mailto:sales@zeushydratech.com). W: [zeushydratech.com](http://zeushydratech.com)



### Opening Dimension Of Oil Tank

Model	A	B	C	D	E	F	G	H
HK-250S	200	45	390	360	240	M8	420	440
HK-400S	350	100	430	250	340	M8	460	450
HK-600S	350	100	430	250	340	M8	460	450
HK-750S	350	100	500	300	420	M8	530	500
HK-1000S	420	100	570	400	470	M10	600	600
HK-2RS	420	100	710	480	620	M10	740	680
HK-3RS	420	100	780	550	670	M10	810	750
HK-4RS	420	100	905	760	750	M12	960	885
HK-5RS	420	100	905	760	750	M12	960	885

The dimension of the oil tank has to be deeper than A, longer than G and wider than H, and the height of the liquid level should be within the range of B.

- Please note, if the liquid level does not cover up the cooling coil, the cooling capacity of the cooler will be greatly reduced as well as the result of moisture created to mix with the liquid.
- Please note that the high temperature liquid should be mixed well with the low temperature liquid before flow into the cooling tank.

### Specification

Item / Model		HE-250S	HE-400S	HE-600S	HE-750S	HE-900S	HE-1000S	HE-2RS	HE-3RS	
Cooling capacity	KCAL/H 50/60Hz	840/1000	1250/1500	1700/2100	2600/3000	3200/3800	3750/4500	5000/6000	7500/9000	
	W 50/60Hz	980/1170	1450/1750	1970/2450	2900/3500	3700/4400	4350/5250	5820/6980	8720/10470	
	BTU/H 50/60Hz	3360/4000	5000/6000	6700/8400	10000/12000	12800/15200	15000/18000	20000/24000	30000/36000	
Temperature controller	A	Fixed temperature control type (setting range 10~40 °C)								
	B	Differential temperature control type (tracing ambient/machine body temperature, setting range -9.9~+9.9 °C)								
Use range	Ambient temperature °C	10~40 °C (Standard)								
	Oil temperature °C	10~45 °C								
Power source		3Ø 200~230V 50/60Hz								
Motor	Compressor	478	845		1185	1500	1700	2480	3350	
	Fan	50			180		350			
Piping diameter	Inlet	PT 1/2"			PT 1"				PT 1-1/4"	
	Outlet	PT 1/2"			PT 1"				PT 1-1/4"	
Dimension WxDxH (mm)		370x450x925	370x475x765	370x475x840	575x430x1045		480x580x1340	500x770x1295	554x690x1525	
Weight (KG)		39	61		73		110	120	160	
Noise level		Below 70 dB(A)						Below 80 dB(A)		

- The above cooling capacity is based on the condition of ambient temperature 35°C, oil temperature 35°C with oil type of ISO VG2.
- Please contact us for special request on specification.
- Different voltage is available, please specify upon request.
- Design and specification are subject to change without prior notice.
- The mixing motor is an optional component, please specify during enquiry.



Our international sales network covers every jurisdiction. Our global shipping partners mean you can be sure we're on hand whenever you need us.

## **Zeus Hydratech Ltd**

Unit 35  
Old Mills Industrial Estate  
Paulton  
Bristol, BS39 7SU  
United Kingdom

T. +44 (0) 1172 130042  
E: [info@zeushydratech.com](mailto:info@zeushydratech.com)  
W. [www.zeushydratech.com](http://www.zeushydratech.com)