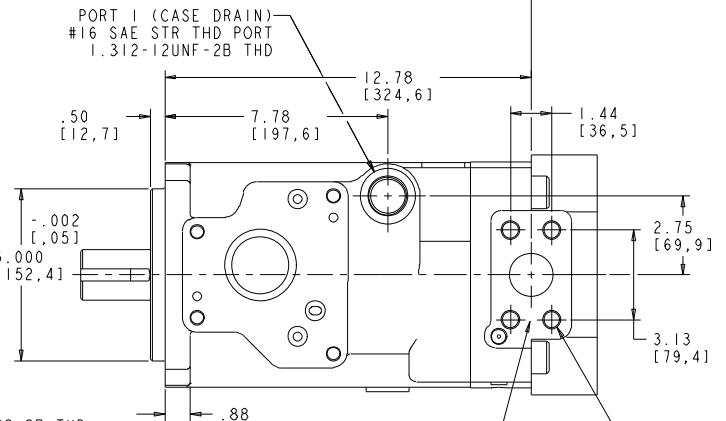
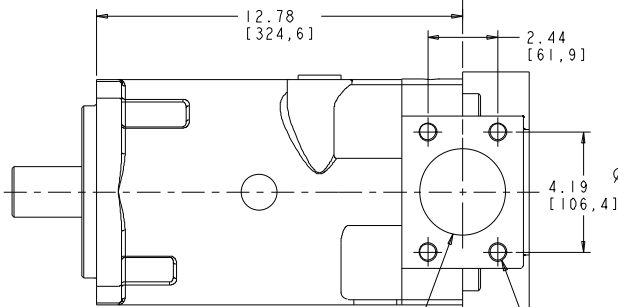
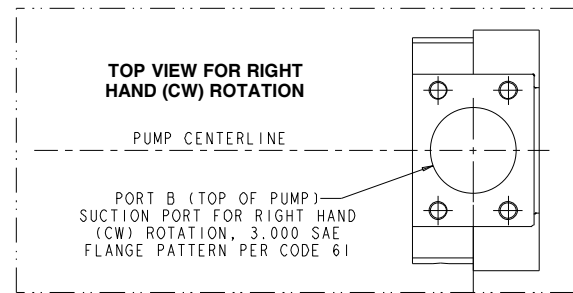
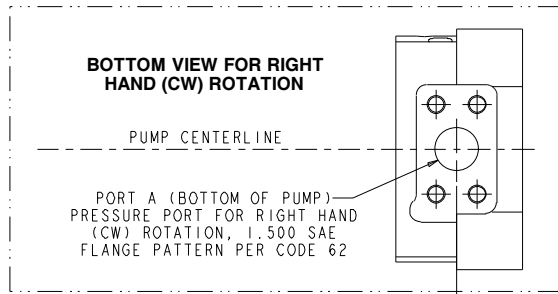
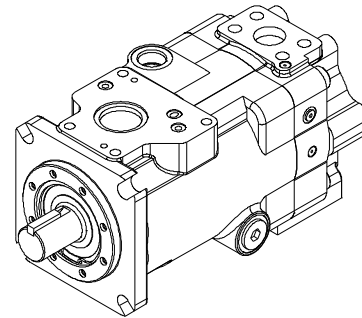
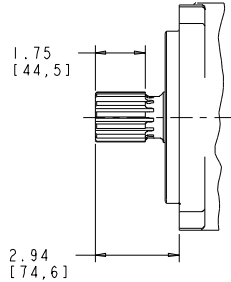


INSTALLATION DRAWING

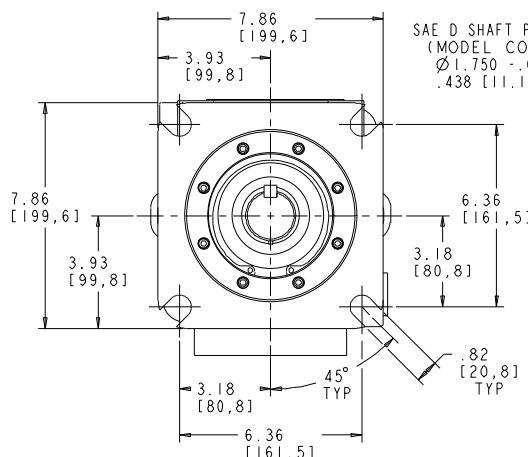
Basic Pump Without Controls - Thru Shaft

**SAE "D" SPLINE SHAFT
(SAE "44-4")
MODEL CODE "L"**
SAE INVOLUTE SPLINE
13 TEETH, 8/16 PITCH
1.750-+.010 [-44,45-+.25] MAJOR DIA.

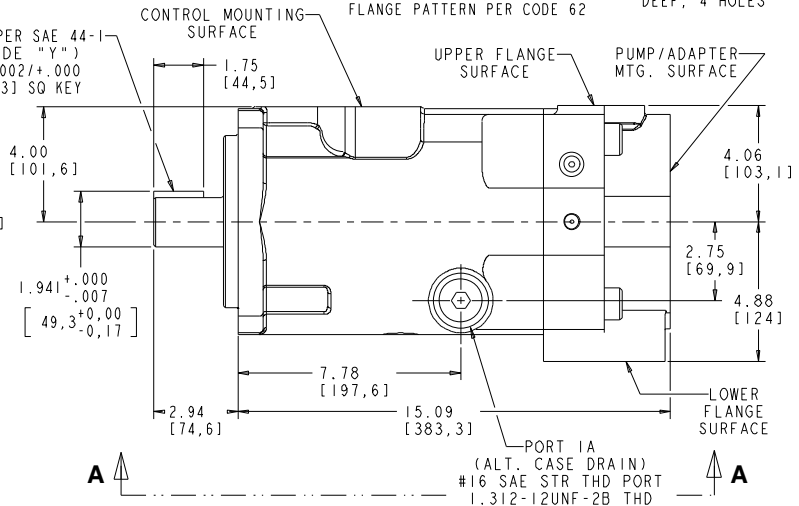


VIEW A-A PORT B (BOTTOM OF PUMP)
SUCTION PORT FOR LEFT HAND
(CCW) ROTATION, 3.000 SAE
FLANGE PATTERN PER CODE 61

PORT A (TOP OF PUMP)
PRESSURE PORT FOR LEFT HAND
(CCW) ROTATION, 1.500 SAE
FLANGE PATTERN PER CODE 62



**SAE "D-FACE" MTG. PATTERN
(SAE "152-4")**



A

A

520241-302