

ZEUS HYDRATECH LTD
Global Suppliers of Premium Hydraulic Components

Official UK Distributor for Continental Hydraulic Components
T: +44(0)1172 130042. E: sales@zeushydratech.com. W: zeushydratech.com

PVR-6 SERIES VANE PUMPS

VARIABLE DISPLACEMENT, PRESSURE COMPENSATED



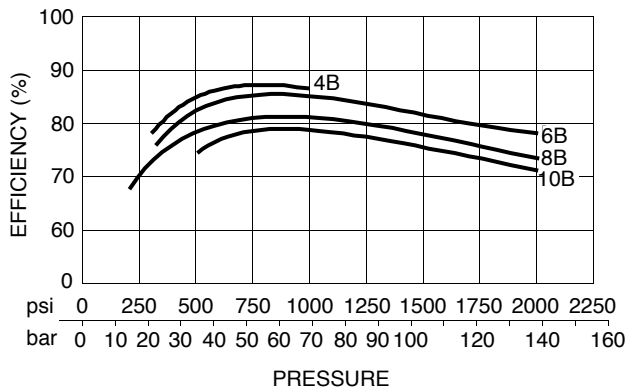
Flanged Mounted
SAE "A" 2-Bolt

TYPICAL PERFORMANCE SPECIFICATIONS

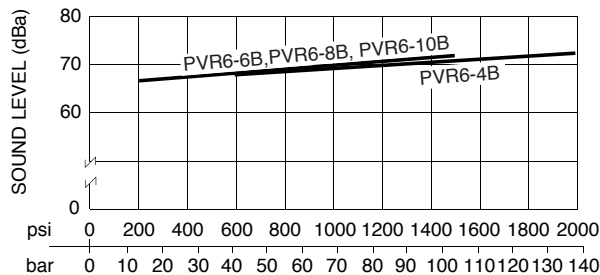
		PUMP SIZE				
		4B	6B	8B	10B	
VOLUMETRIC DISPLACEMENT*	cu. in./rev.	0.7	0.9	1.2	1.4	
	ml/rev.	11.5	14.8	19.7	23.1	
PUMP DELIVERY AT 1750 RPM*	91.5 psi	gpm	5.2	7	9	11
	6.3 bar	lpm	19.7	26.5	34	41
	rated pressure	gpm	4	6	8	10
COMPENSATED PRESSURE RANGES	Max.	psi	2000	2000	2000	1000
		bar	138	138	138	69
	Rated	psi	2000	2000	2000	1000
		bar	138	138	138	69
	Min.	psi	500	300	200	300
		bar	35	20	14	20
OPERATING SPEEDS**	Min. rpm	800		800		
	Rated rpm	1750		1750		
	Max. rpm	3600		1800		
POWER INPUT AT RATED FLOW & PRESSURE (1750 rpm)	hp	7	9	11	8	
	kW	5.2	6.7	8.2	5.9	
SUCTION	PRESSURE	Max.	psi		20	10
		bar	1.4		0.70	
	Min.	in./Hg		7		
	Specific Grav. < 1	bar		-0.25		
	Min.	in./Hg		5		
Specific Grav. > 1	bar		-0.17			
FLUID VELOCITY	Max.	ft./sec.		5		
		m/sec.		1.5		
CASE DRAIN	NOMINAL FLOW AT DEADHEAD	Max.	cipm	31	31	37
		Pressure	mlpm	500	500	600
	Min.	cipm	10	10	24	
MAXIMUM CASE PRESSURE	Pressure	mlpm	170	170	390	
	psi	10		0.7		
WEIGHT	lbs.	20		9		
	kg	9				

OVERALL EFFICIENCY

1750 rpm at Full Displacement



TYPICAL SOUND LEVEL @ 1750 rpm



NOTES:

* Volumetric displacement is measured displacement at 91.5 psi (6.3 bar) and rated rpm. Volumetric displacement varies with both pressure and rpm. Flow rates at any rpm other than the rated rpm may be approximated as follows:

$$Q_2 = Q_1 (N-142)/1667 \text{ where } Q_1 = \text{Flow (gpm) at rated rpm at 91.5 psi (6.3 bar).}$$

$$Q_2 = \text{Flow (gpm) at N rpm.}$$

N = rpm at which Q_2 is to be determined.

** When operating above 1500 psi (103 bar), it is recommended that a direct-acting differential relief valve be used at the pump to relieve pressure spikes and surges.

6B - Maximum rpm at full displacement - 2800 rpm. For higher rpms up to 3600 rpm, pump displacement must be reduced to limit flow to 9.5 gpm (36 lpm) maximum.

8B - Maximum rpm at full displacement - 2100 rpm. For higher rpms up to 3600 rpm, pump displacement must be reduced to limit flow to 9.5 gpm (36 lpm) maximum.

10B - Maximum rpm at full displacement - 1800 rpm. For higher rpms up to 3600 rpm, pump displacement must be reduced to limit flow to 9.5 gpm (36 lpm) maximum.

PRESSURE and VOLUME ADJUSTMENT SENSITIVITY

		PUMP SIZE		S 4B	6B	6B	8B	8B	10B	6B	8B
		20	06								
PRESSURE ADJUSTMENT		Press Change/Turn	psi (bar)	275 (19.0)	200 (13.7)	260 (17.9)	200 (13.7)	260 (17.9)	235 (16.2)	360 (24.9)	250 (17.2)
		Max. Torque	ft./lbs.(kg/m)	8.0 (1.10)	4.01 (0.55)	6.0 (0.83)	4.0 (0.55)	6.8 (0.83)	5.0 (0.89)	6.0 (0.83)	6.0 (0.83)
VOLUME ADJUSTMENT		Flow Change/Turn	gpm (lpm)	3.4 (12.9)	4.6 (17.4)		4.6 (17.4)		4.6 (17.4)	4.6 (17.4)	4.6 (17.4)
		Min. Flow Adjust.	gpm (lpm)	1.25 (3.78)	1.25 (3.78)		1.25 (3.78)		1.25 (3.78)	1.25 (3.78)	1.25 (3.78)
		Max. Torque	ft./lbs. (kg/m)	4.0 (0.55)	2.5 (0.34)		2.5 (0.34)		1.0 (0.34)	1.0 (0.34)	1.0 (0.34)

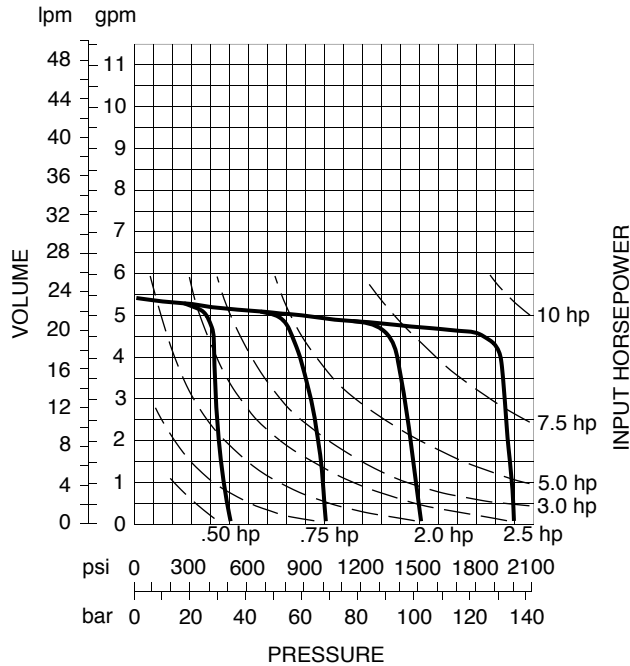
PVR-6 SERIES VANE PUMPS

VARIABLE DISPLACEMENT, PRESSURE COMPENSATED

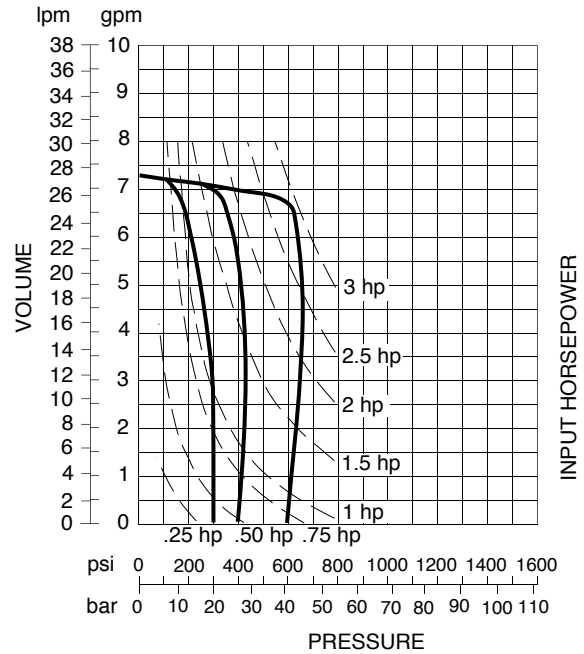
NOTE: Typical performance curves are based on ISO VG46 oil at 120° F. (49° C.). Above 400 SUS (84 CS), add 2% hp/100 SUS.

NOTE: Deadhead horsepower is read from curves at 0 gpm flow and pressure compensator setting psi.

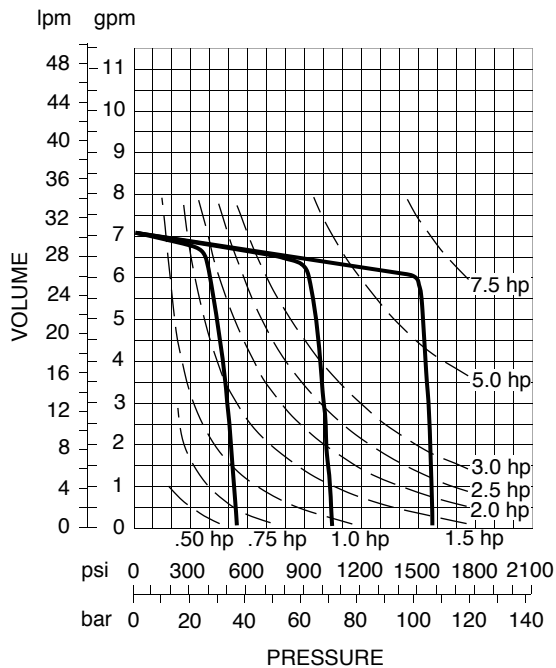
4B20 (at 1750 rpm)



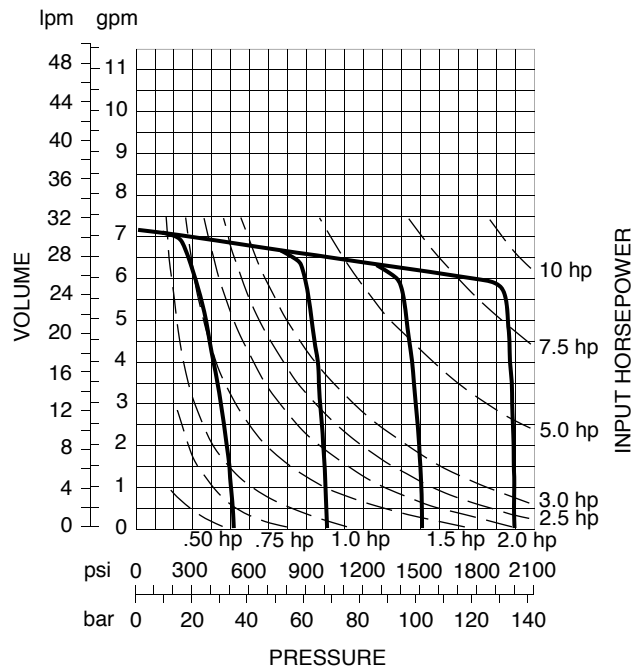
6B06 (at 1750 rpm)



6B15 (at 1750 rpm)



6B20 (at 1750 rpm)



CAUTION: Turning the Maximum Volume Control in too far can force the cam ring over-center, causing damage.

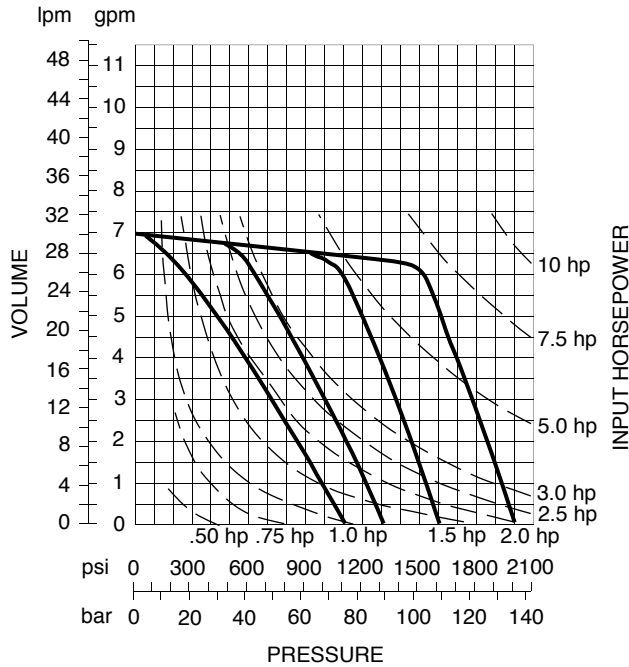
PVR-6 SERIES VANE PUMPS

VARIABLE DISPLACEMENT, PRESSURE COMPENSATED

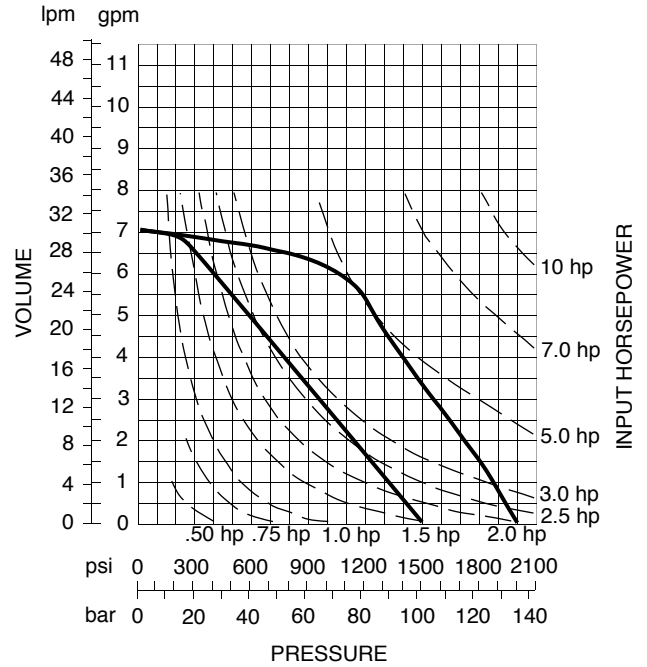
NOTE: Typical performance curves are based on ISO VG46 oil at 120° F. (49° C.). Above 400 SUS (84 CS), add 2% hp/100 SUS.

NOTE: Deadhead horsepower is read from curves at 0 gpm flow and pressure compensator setting psi.

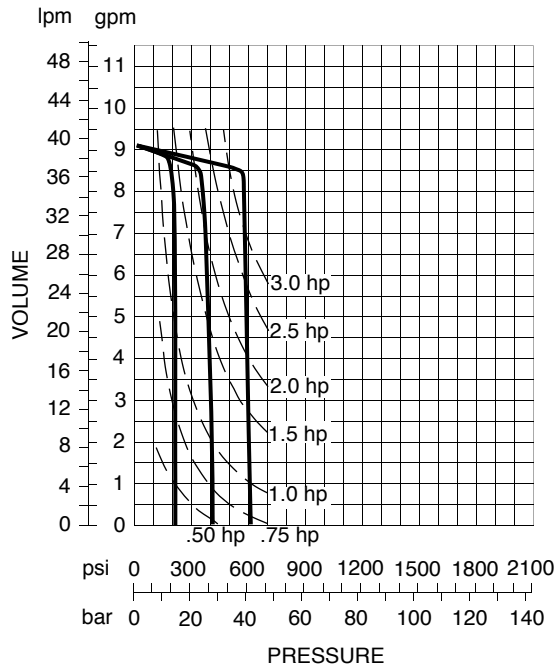
6B3L (at 1750 rpm)



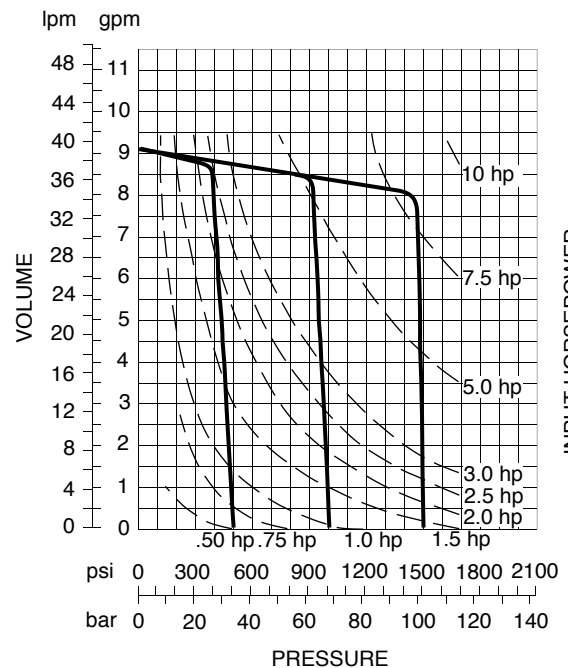
6B5L (at 1750 rpm)



8B06 (at 1750 rpm)



8B15 (at 1750 rpm)



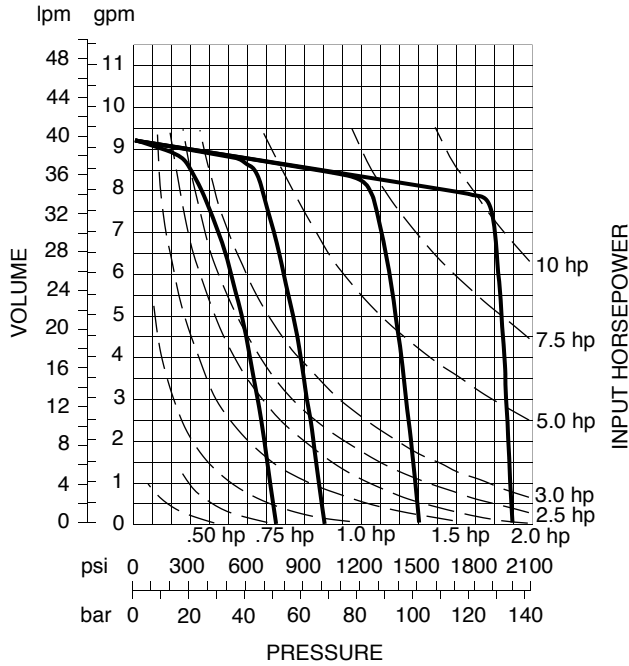
PVR-6 SERIES VANE PUMPS

VARIABLE DISPLACEMENT, PRESSURE COMPENSATED

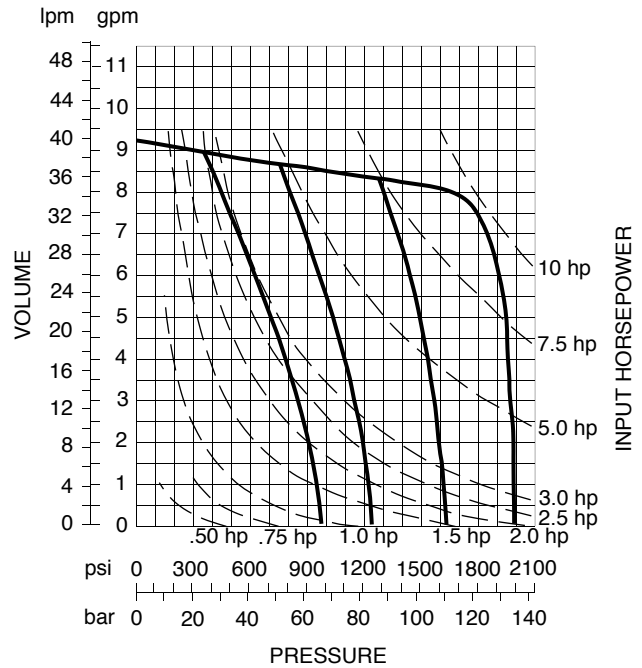
NOTE: Typical performance curves are based on ISO VG46 oil at 120° F. (49° C.). Above 400 SUS (84 CS), add 2% hp/100 SUS.

NOTE: Deadhead horsepower is read from curves at 0 gpm flow and pressure compensator setting psi.

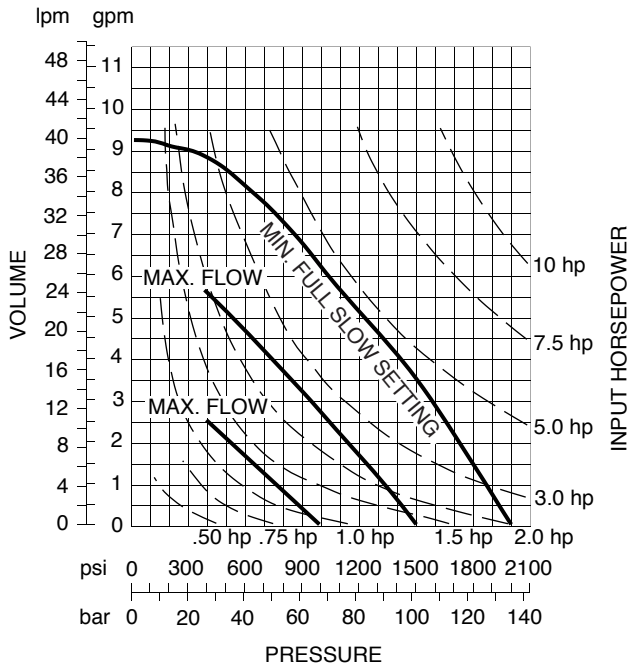
8B20 (at 1750 rpm)



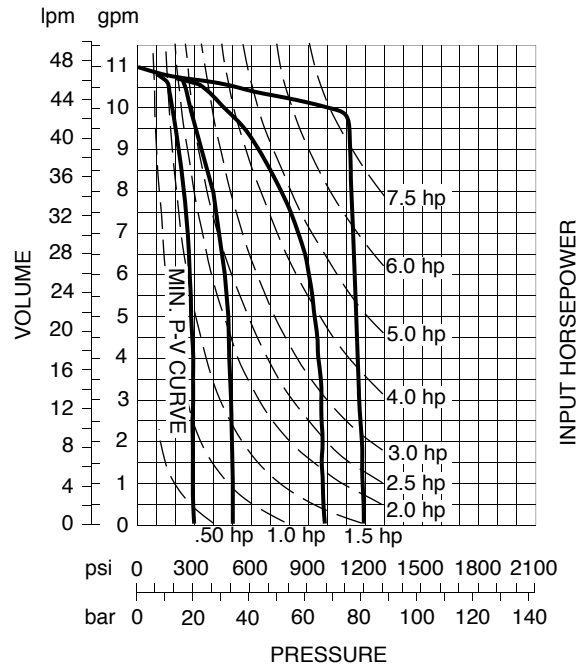
8B3L (at 1750 rpm)



8B5L (at 1750 rpm)



10B10* (at 1750 rpm)



* **NOTE:** Not to be used with water, glycol or emulsion fluids.

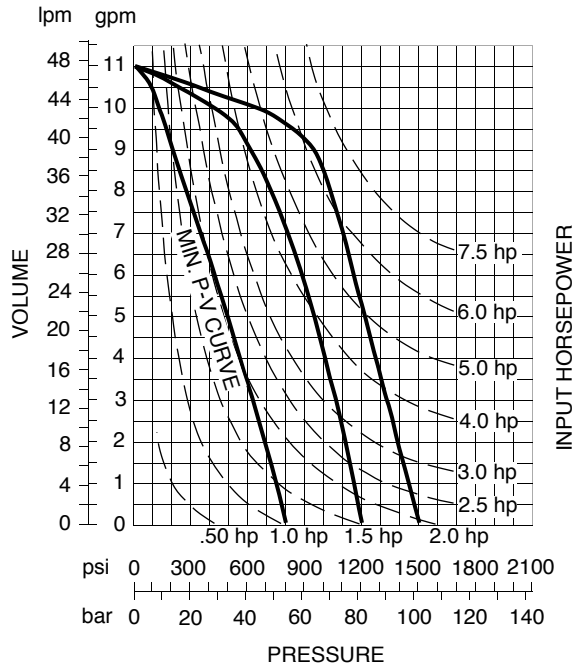
PVR-6 SERIES VANE PUMPS

VARIABLE DISPLACEMENT, PRESSURE COMPENSATED

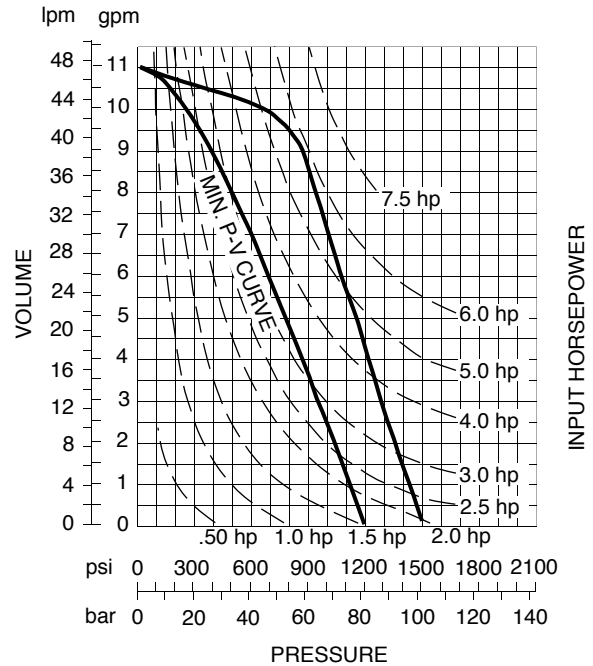
NOTE: Typical performance curves are based on ISO VG46 oil at 120° F. (49° C.). Above 400 SUS (84 CS), add 2% hp/100 SUS.

NOTE: Deadhead horsepower is read from curves at 0 gpm flow and pressure compensator setting psi.

10B3L (at 1750 rpm)



10B5L (at 1750 rpm)

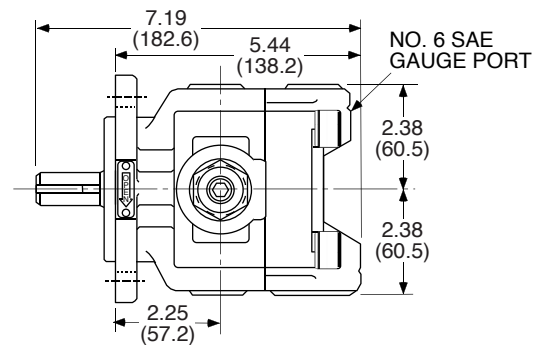
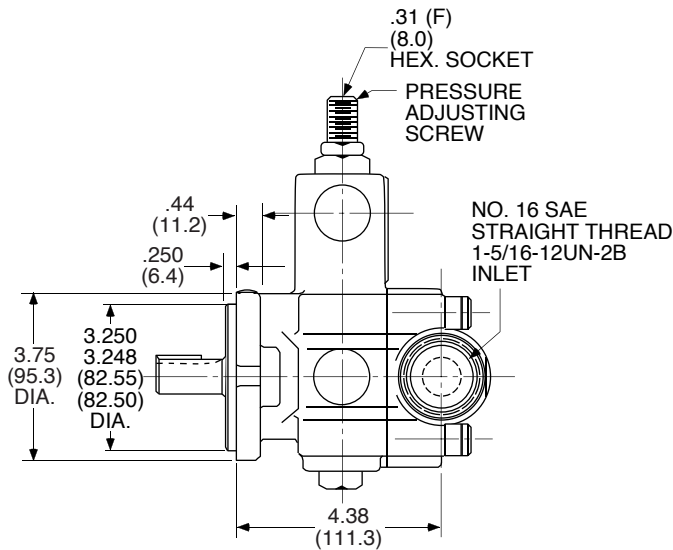
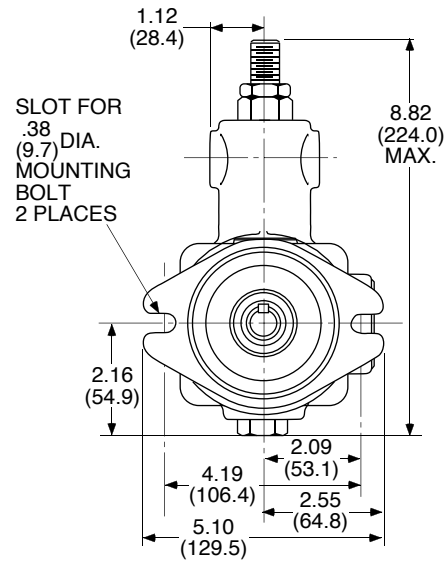
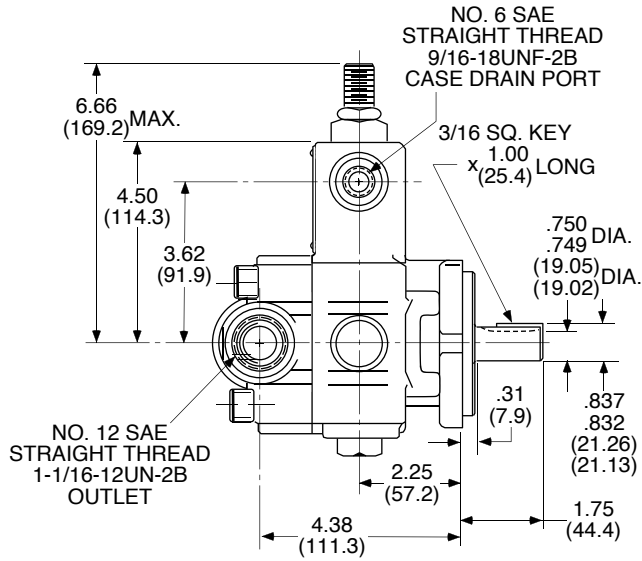


PVR-6 SERIES VANE PUMPS

VARIABLE DISPLACEMENT, PRESSURE COMPENSATED

PUMP DIMENSIONS

Dimensions shown in: Inches
(millimeters)

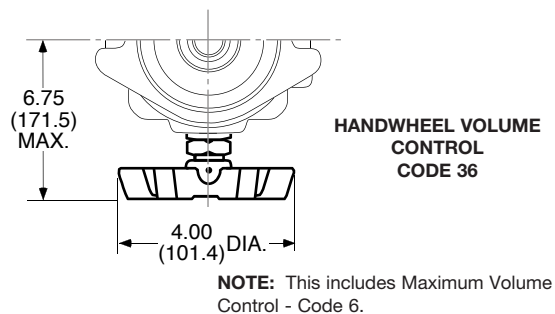
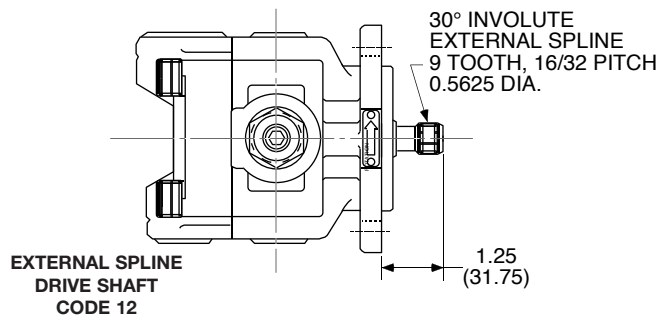
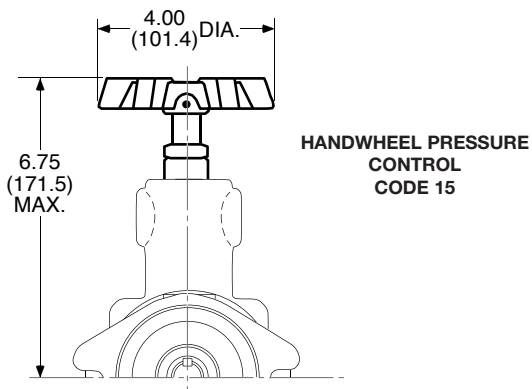
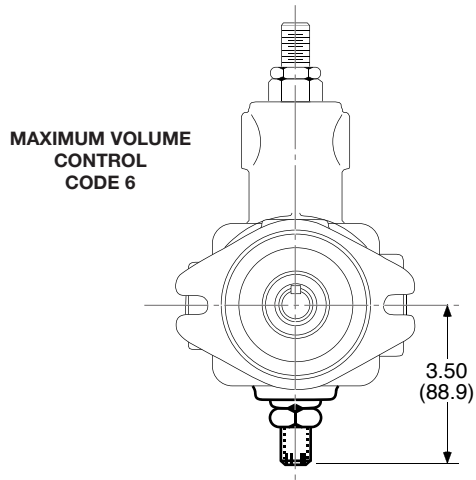


PVR-6 SERIES VANE PUMPS

VARIABLE DISPLACEMENT, PRESSURE COMPENSATED

MECHANICAL OPTIONS

Dimensions shown in: Inches
(millimeters)



PVR-6 SERIES VANE PUMPS

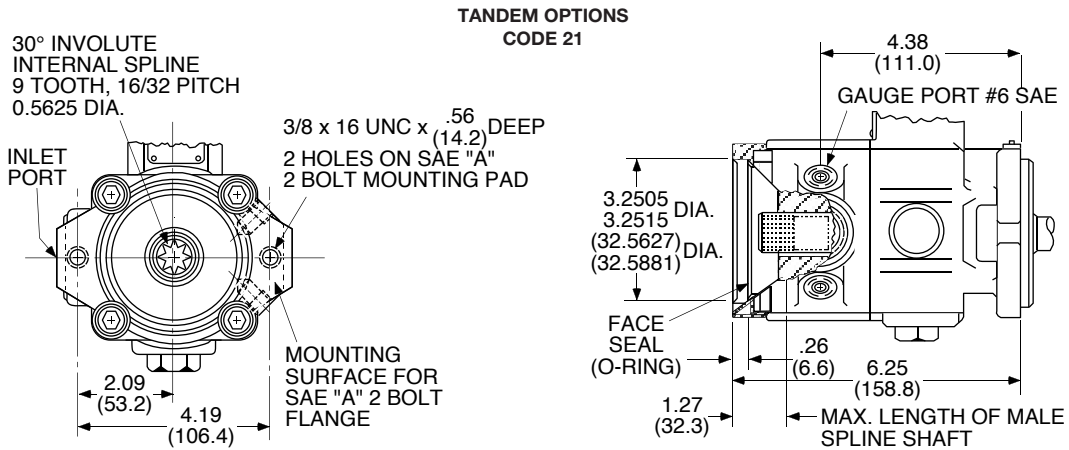
VARIABLE DISPLACEMENT, PRESSURE COMPENSATED

MECHANICAL OPTIONS

Dual pump operation without additional mounting flanges and couplings.

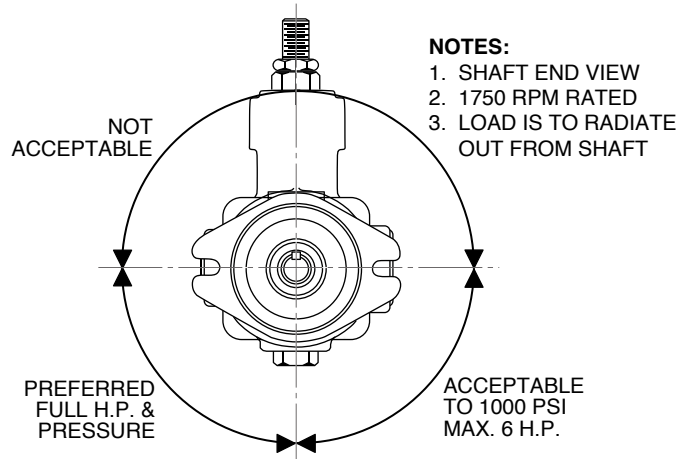
Dimensions shown in: Inches
(millimeters)

Permits mounting of another PVR6 pump (with Code 12*) or any SAE "A" -bolt flange mount pump incorporating a 30° involute, 16/32 pitch, 9 tooth external spline drive shaft. Maximum rating of internal spline is 8-1/2 hp at 1750 rpm.



SIDE LOAD DRIVES

i.e. Belt, Chain, Gear

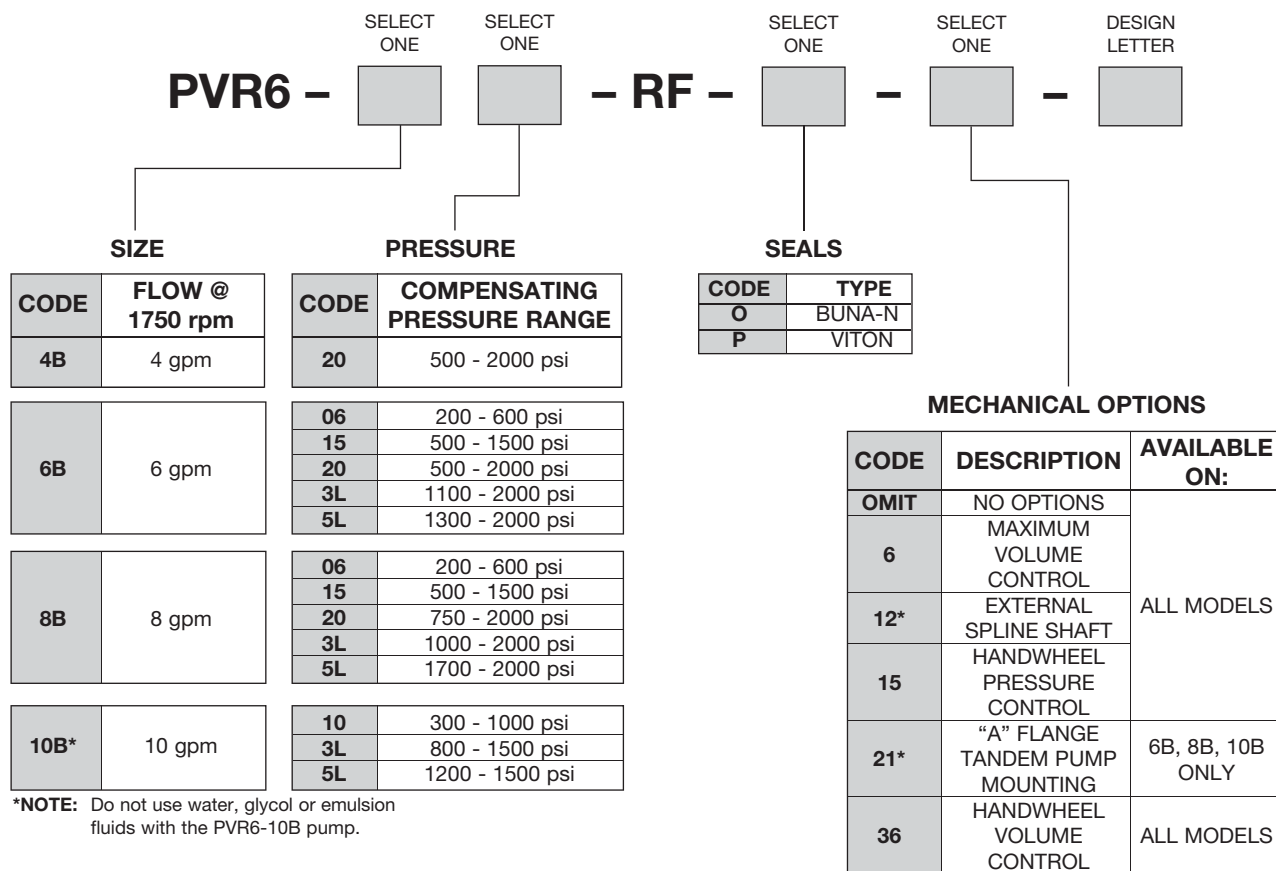


PVR-6 SERIES VANE PUMPS

VARIABLE DISPLACEMENT, PRESSURE COMPENSATED

ORDERING INFORMATION

Right Hand (CW) Rotation



*NOTE: Do not use water, glycol or emulsion fluids with the PVR6-10B pump.

*NOTE: For PVR6-4B Code 21 or 1221, consult the factory for price and delivery.

TYPICAL ORDERING CODE:
PVR6-8B15-RF-O-1-H



Our international sales network covers every jurisdiction. Our global shipping partners mean you can be sure we're on hand whenever you need us.

Zeus Hydratech Ltd

Unit 35
Old Mills Industrial Estate
Paulton
Bristol, BS39 7SU
United Kingdom

T. +44 (0) 1172 130042
E: info@zeushydratech.com
W. www.zeushydratech.com