

ZEUS HYDRATECH LTD
Global Suppliers of Premium Hydraulic Components

Official UK Distributor for Continental Hydraulic Components
T: +44(0)1172 130042. E: sales@zeushydratech.com. W: zeushydratech.com

PVR-50 SERIES VANE PUMPS

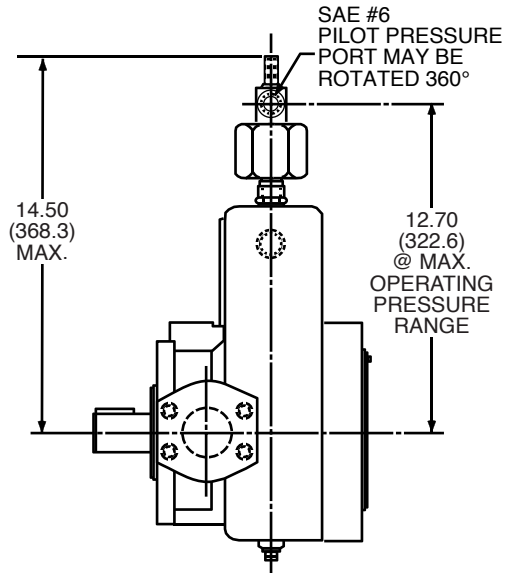
CONTROL OPTIONS

DUAL PRESSURE CONTROL DIMENSIONS

Remote Operator Control - Code 17

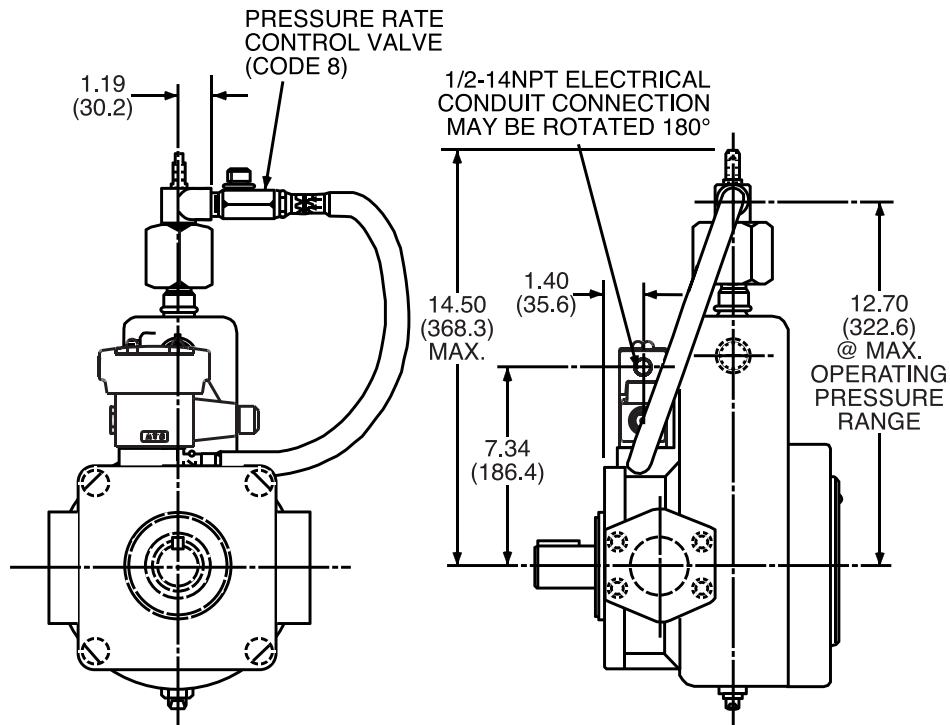
Dimensions shown in: Inches
(millimeters)

RF (CW) Rotation Shown ...
LF (CCW) Dimensions Are
The Same



Integral Operator Control* - Code 18

*NOTE: Requires choice of operator electrical option codes from Control Valve Options.



PVR-50 SERIES VANE PUMPS

CONTROL OPTIONS

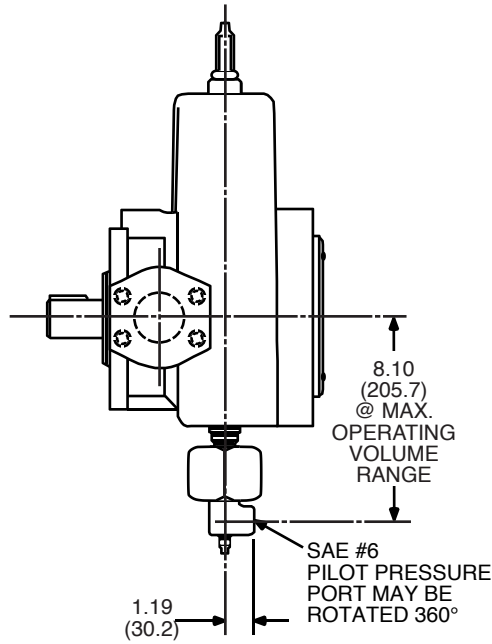
DUAL VOLUME CONTROL DIMENSIONS

Remote Operator Control - Code 2400

Dimensions shown in: Inches
(millimeters)

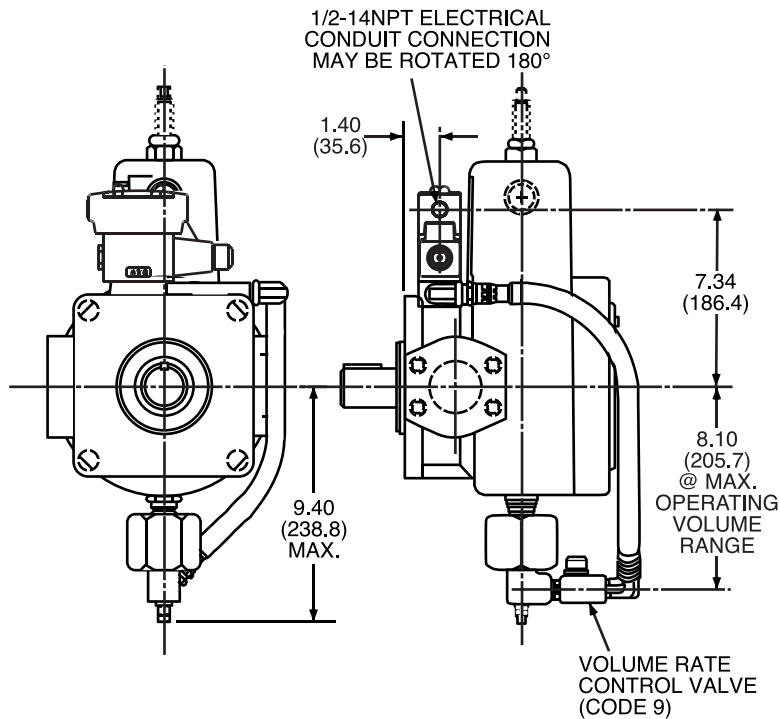
RF (CW) Rotation Shown ...
LF (CCW) Dimensions Are
The Same

REMOTE OPERATOR
CODE 17



Integral Operator Control* - Code 24

*NOTE: Requires choice of operator electrical option codes from Control Valve Options.



PVR-50 SERIES VANE PUMPS

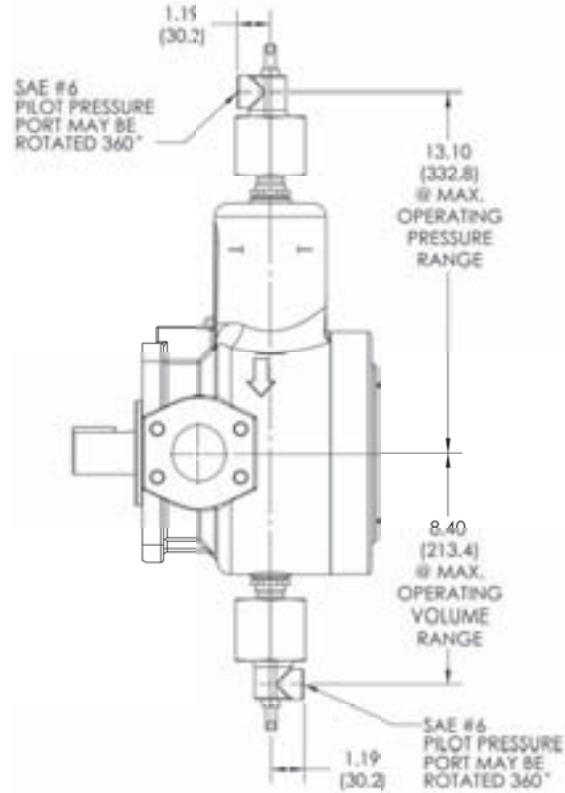
CONTROL OPTIONS

DUAL PRESSURE/DUAL VOLUME CONTROL DIMENSIONS

Remote Operator Control - Code 2500

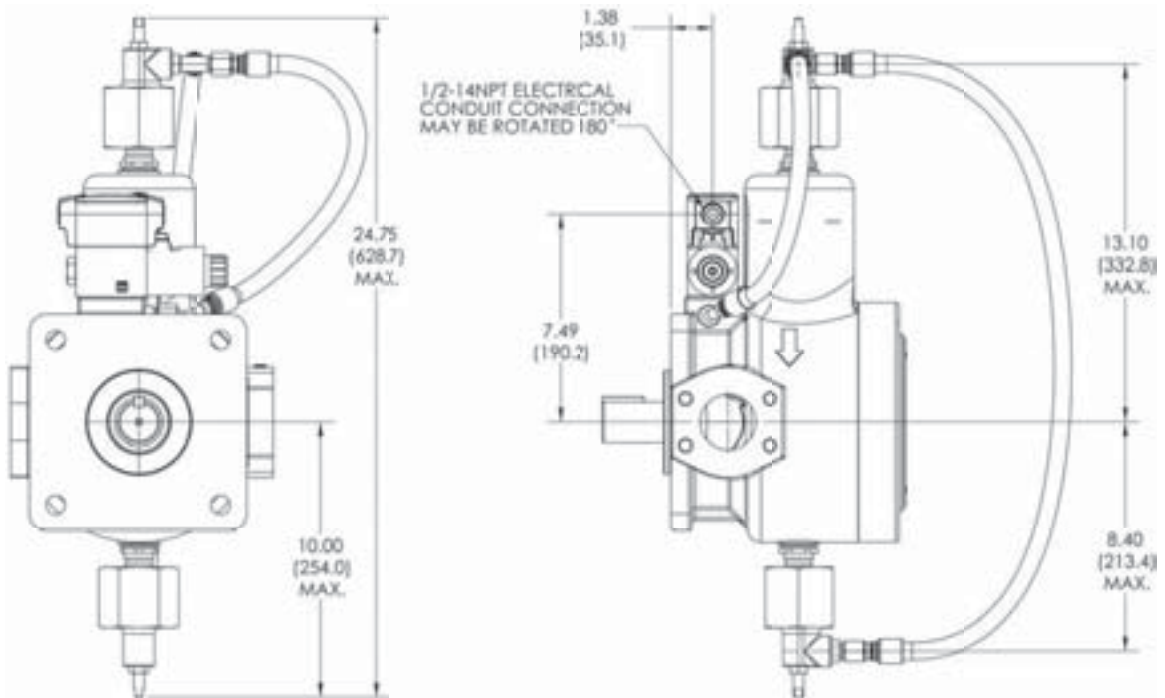
Dimensions shown in: Inches
(millimeters)

RF (CW) Rotation Shown ...
LF (CCW) Dimensions Are
The Same



Integral Operator Control* - Code 25

*NOTE: Requires choice of operator electrical option codes from Control Valve Options.

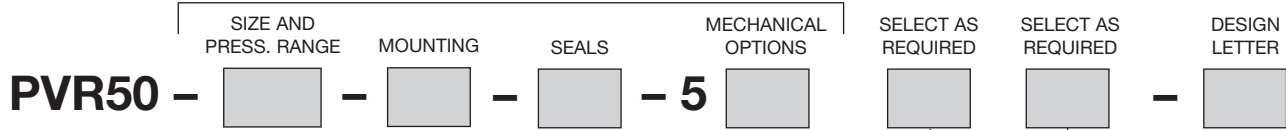


PVR-50 SERIES VANE PUMPS

CONTROL OPTIONS

ORDERING INFORMATION

TO COMPLETE CODE, REFER TO PVR SECTION, ORDERING INFORMATION



CONTROL OPTIONS

CODE	DESCRIPTION
OMIT	NO OPTIONS
8	DUAL PRESSURE RATE CONTROL VALVE
9	DUAL VOLUME RATE CONTROL VALVE
17	DUAL PRESSURE REMOTE OPERATED
18	DUAL PRESSURE WITH INTEGRAL OPERATOR
24	DUAL VOLUME WITH INTEGRAL OPERATOR
25	DUAL PRESSURE/ DUAL VOLUME WITH INTEGRAL OPERATOR
2400	DUAL VOLUME REMOTE OPERATED
2500	DUAL PRESSURE/ DUAL VOLUME REMOTE OPERATED

CONTROL VALVE INTEGRAL OPERATOR OPTIONS

USE WITH CODES 18, 24 and 25

Mechanical Options

CODE	DESCRIPTION
OMIT	NOT REQUIRED

Top Electrical Box

CODE	DESCRIPTION	CODE	DESCRIPTION	CODE	DESCRIPTION
LEAD WIRE CONNECTIONS					
B	TOP ELECT. BOX WITHOUT TERMINAL POSTS			60L	110/120V 50/60 HZ
				61L	220/240V 50/60 HZ
B5H	TOP ELECT. BOX WITH 5 PIN MALE RECEPTACLE			68L	110/120V 50/60 HZ (LOW AMPS)
				70L	24 VDC
				75L	12 VDC
DIN 43650 CONNECTIONS					
OMIT	NOT AVAILABLE			33L	110/120V 50/60 HZ
				34L	220/240V 50/60 HZ
				42L	24 VDC
				44L	12 VDC

Solenoid

TYPICAL ORDERING CODE:

PVR50-50B15-RF-O-5818B60L-L



Our international sales network covers every jurisdiction. Our global shipping partners mean you can be sure we're on hand whenever you need us.

Zeus Hydratech Ltd

Unit 35
Old Mills Industrial Estate
Paulton
Bristol, BS39 7SU
United Kingdom

T. +44 (0) 1172 130042
E: info@zeushydratech.com
W. www.zeushydratech.com